



Installation instructions, accessories

Volvo Car Corporation Gothenburg, Sweden

Instruction No	Version	Part. No.
31408210	1.4	31373088

Parking assistance, front



Installation instructions, accessories

Volvo Car Corporation Gothenburg, Sweden

Special tools

	999 7234 Hole stamp Tool number:999 7234 Tool description:Hole stamp Tool boards:80
	951 2950 Glue gun (kit) Tool number:951 2950 Tool description:Glue gun (kit) Tool boards:08

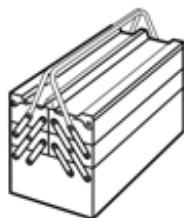
Materials

Designation	Part number
Isopropanol	1161721
Sand paper P1000	
Volvo Original Touch-up paint	
Varnish 2-component	31335447
Activator	8637076
Mixing pipe	1161730
Glue	9511027
Electrical tape	

Equipment

VIDA

IMG-242205

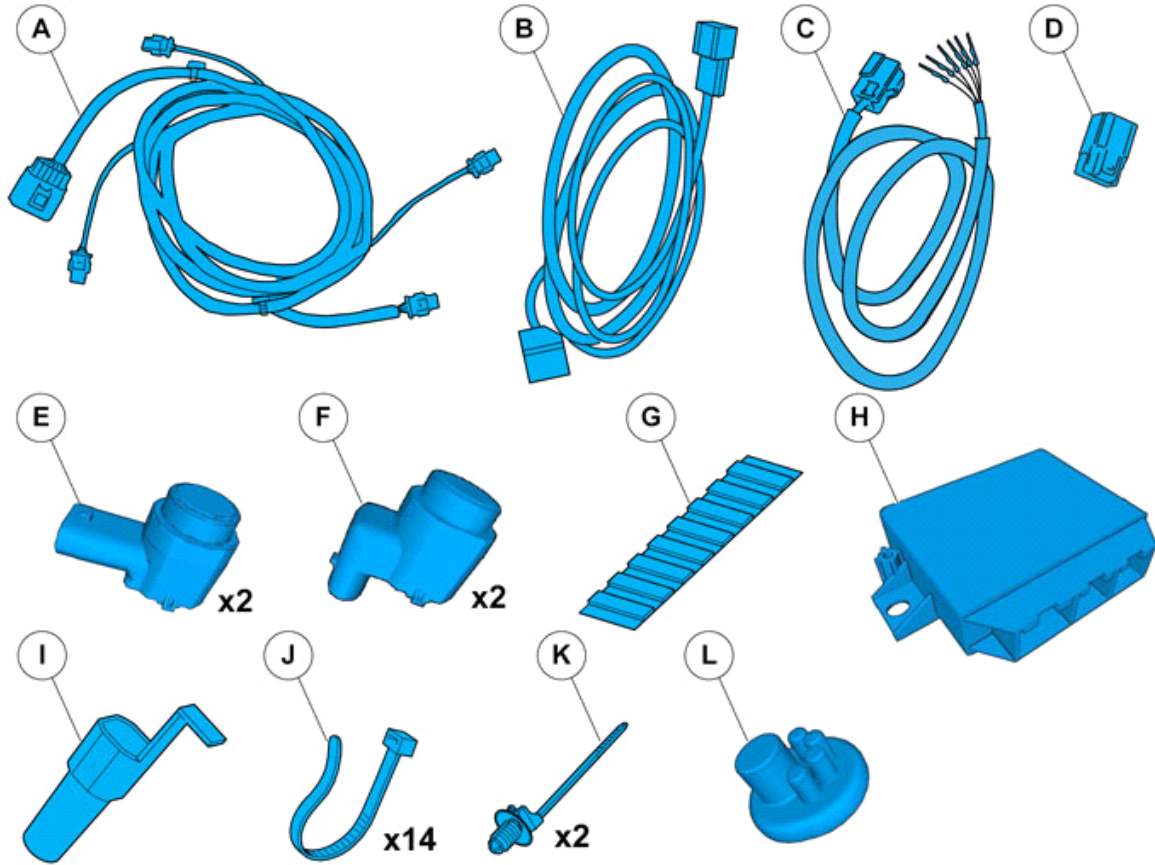


A0000162



Installation instructions, accessories

Volvo Car Corporation Gothenburg, Sweden

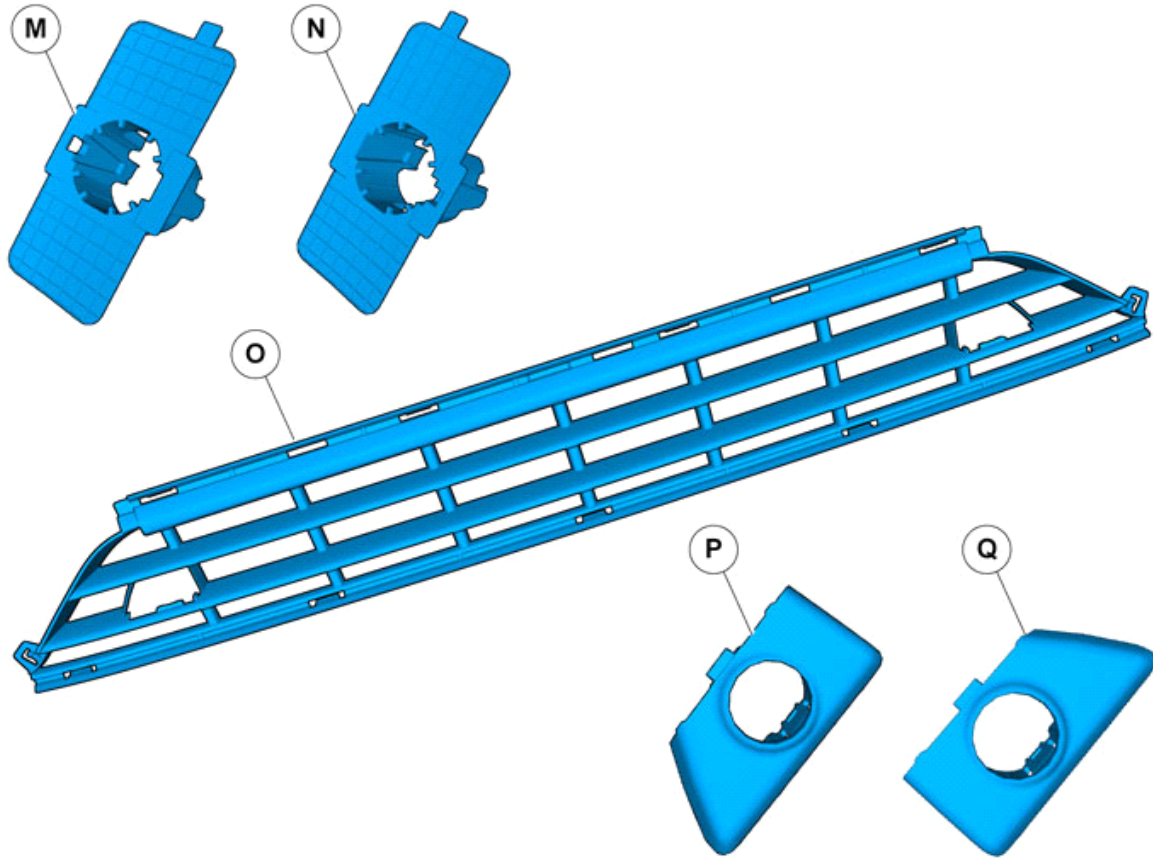


IMG-37721



Installation instructions, accessories

Volvo Car Corporation Gothenburg, Sweden



IMG-37722



Installation instructions, accessories

Volvo Car Corporation Gothenburg, Sweden

Information

1

Read through all of the instructions before starting installation.

Notifications and warning texts are for your safety and to minimise the risk of something breaking during installation.

Ensure that all tools stated in the instructions are available before starting installation.

Certain steps in the instructions are only presented in the form of images. Explanatory text is also given for more complicated steps.

In the event of any problems with the instructions or the accessory, contact your local Volvo dealer.

Further information

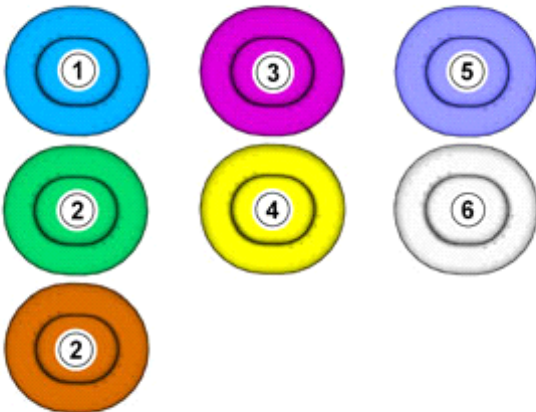
2

When installing, the car must retain a temperature of 20 degrees C.

After installation, the car must not be washed for 48 hours

Color symbols

3



IMG-363036

Note!

This colour chart displays (in colour print and electronic version) the importance of the different colours used in the images of the method steps.

1. Used for focused component, the component with which you will do something.
2. Used as extra colors when you need to show or differentiate additional parts.
3. Used for attachments that are to be removed/installed. May be screws, clips, connectors, etc.
4. Used when the component is not fully removed from the vehicle but only hung to the side.
5. Used for standard tools and special tools.
6. Used as background color for vehicle components.

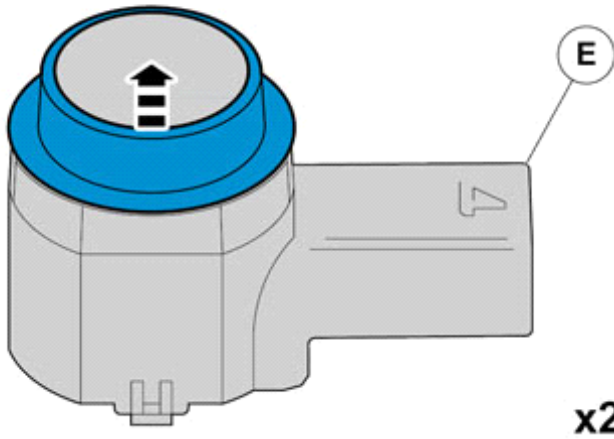
Paintwork



Installation instructions, accessories

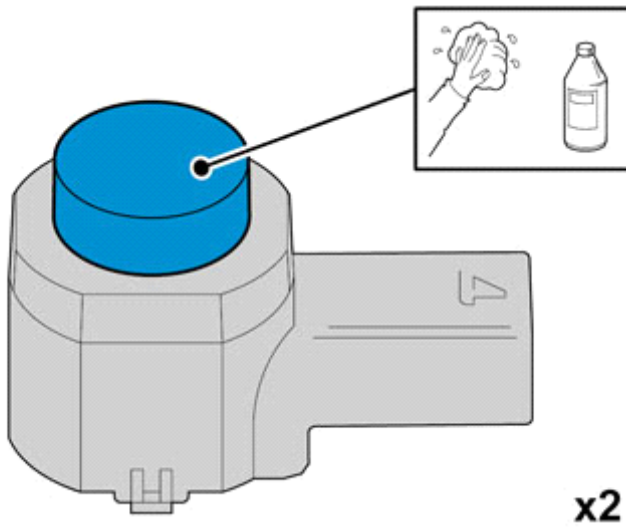
Volvo Car Corporation Gothenburg, Sweden

4



IMG-373951

5



IMG-344142

Clean the surface.

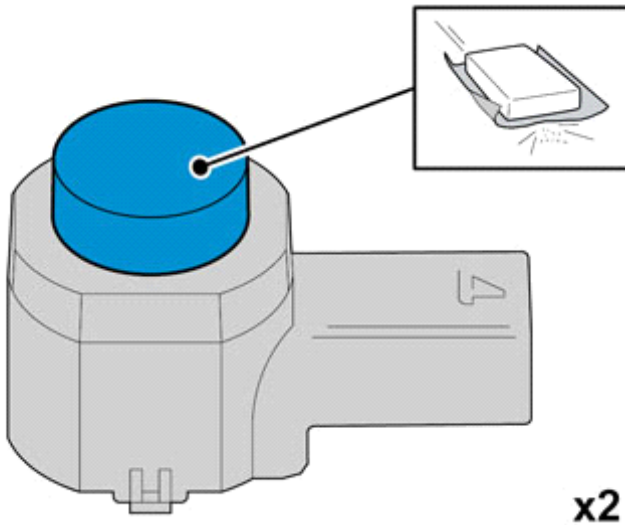
Use: 1161721, Isopropanol



Installation instructions, accessories

Volvo Car Corporation Gothenburg, Sweden

6

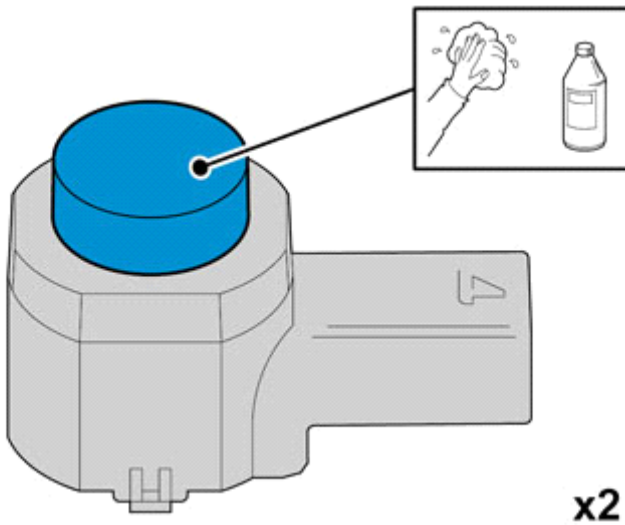


IMG-344141

Matt the surface gently.

Use: , Sand paper P1000

7



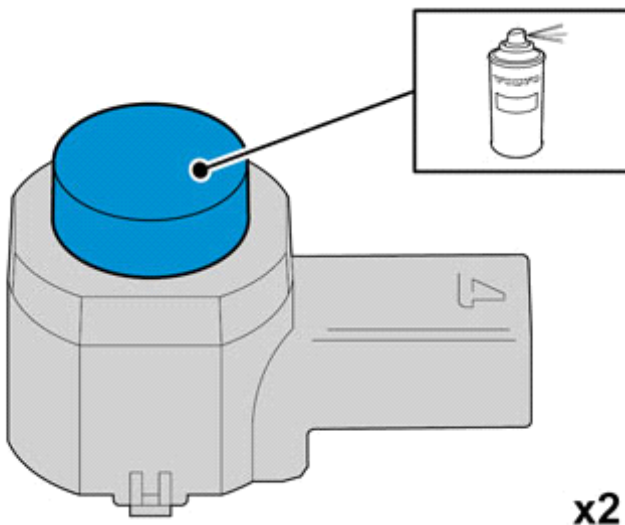
IMG-344142

Clean the surface.

Use: 1161721, Isopropanol

Allow to dry.

8



IMG-344251

Caution!

Protect connector surfaces against paint spray.

Note!

Paint the sensors the same colour code as the vehicle.

Use: , Volvo Original Touch-up paint

Use base coat only.

Use: 31335447, Varnish 2-component

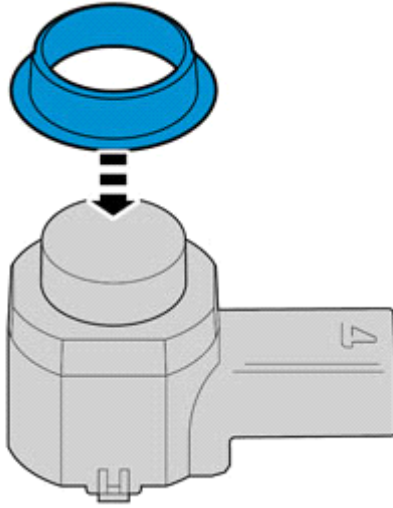
Also see the instructions on the container.



Installation instructions, accessories

Volvo Car Corporation Gothenburg, Sweden

9



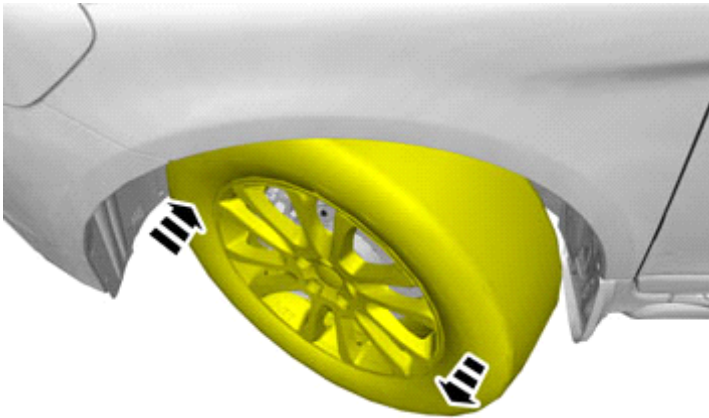
x2

IMG-333934

Caution!
First the paint must dry after painting.

Removal

10



Turn the wheel inwards.

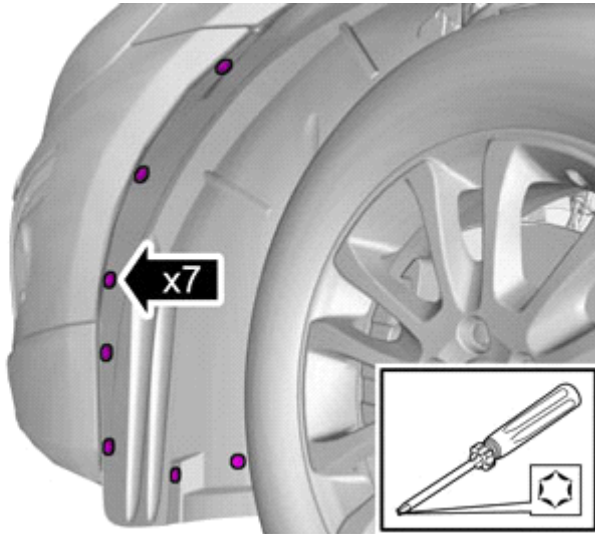
IMG-307623



Installation instructions, accessories

Volvo Car Corporation Gothenburg, Sweden

11



IMG-307624

Vehicles with headlamp washers

12



IMG-307625

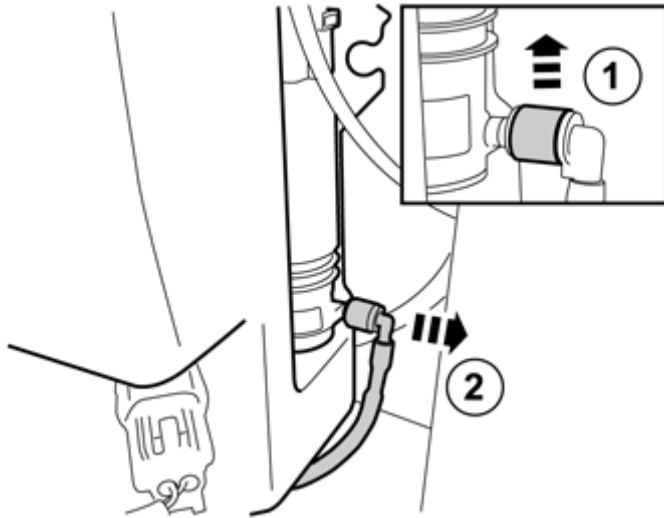
Fold the wing liner to one side.



Installation instructions, accessories

Volvo Car Corporation Gothenburg, Sweden

13



IMG-273538

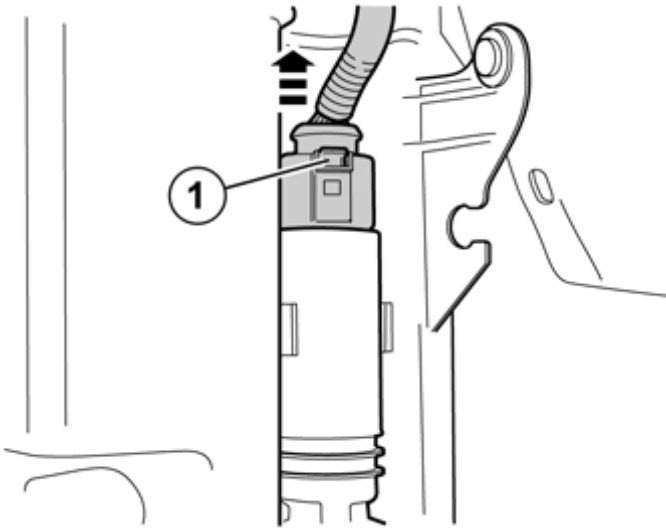
Place a container under the car.

Take a piece of washer hose. Tie a knot in it and place it on the washer pump to prevent the washer fluid reservoir from emptying.

Release the lock.

Remove the hose.

14



IMG-273539

Release the connector's catch.

Disconnect the connector.

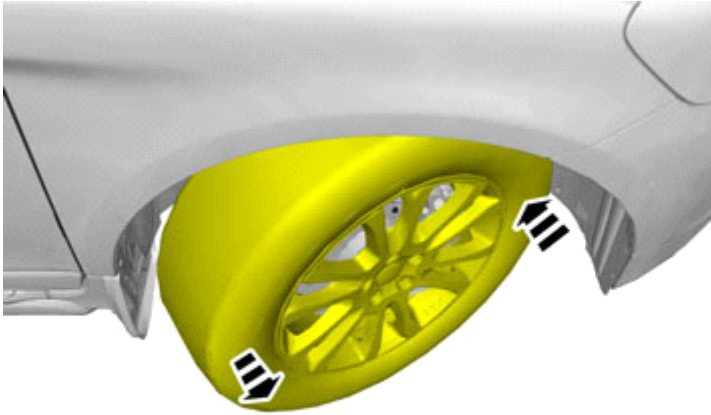
All vehicles



Installation instructions, accessories

Volvo Car Corporation Gothenburg, Sweden

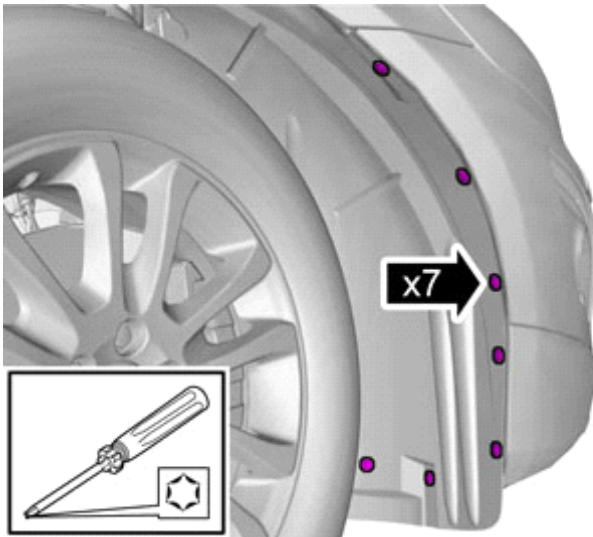
15



Turn the wheel inwards.

IMG-307627

16



Remove the screws.

IMG-307683

17



Fold the wing liner to one side.

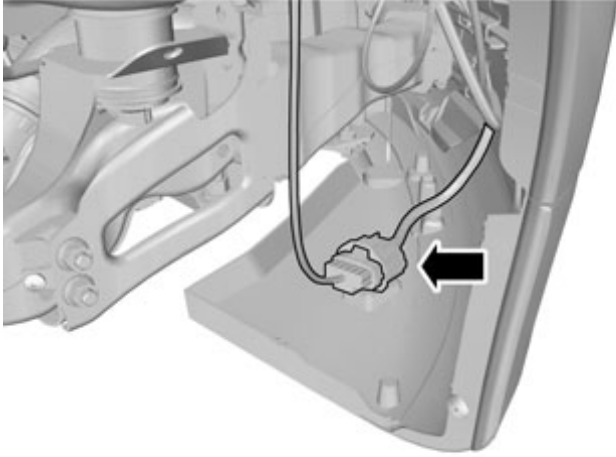
IMG-307684



Installation instructions, accessories

Volvo Car Corporation Gothenburg, Sweden

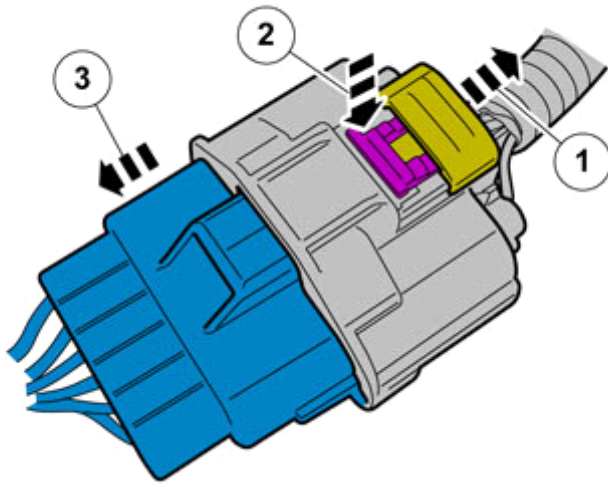
18



Locate the connector.

IMG-307685

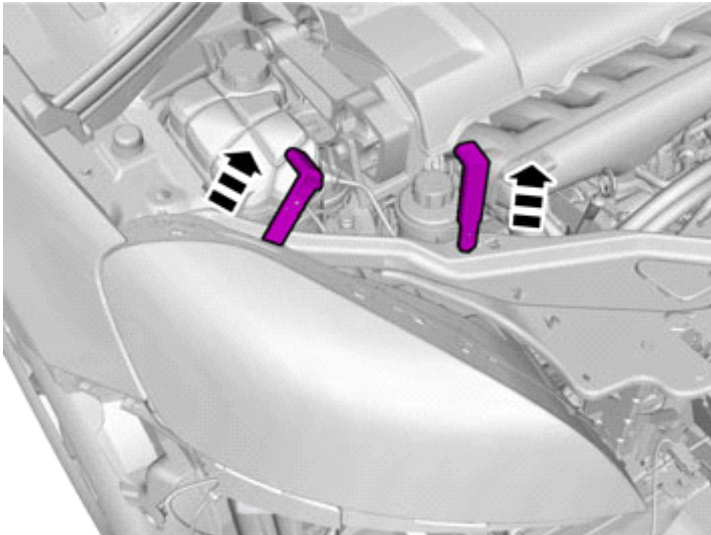
19



1. Release the lock.
2. Release the connector's catch.
3. Disconnect the connector.

IMG-307686

20



RHD: The procedure is carried out on the opposite side.

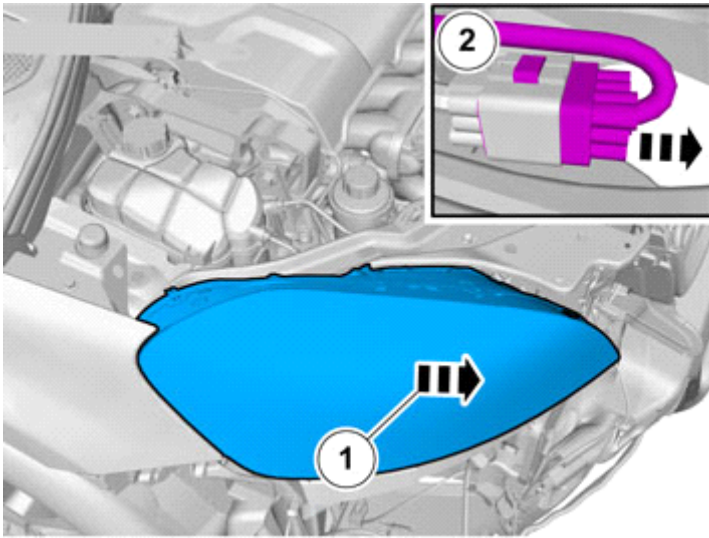
IMG-307687



Installation instructions, accessories

Volvo Car Corporation Gothenburg, Sweden

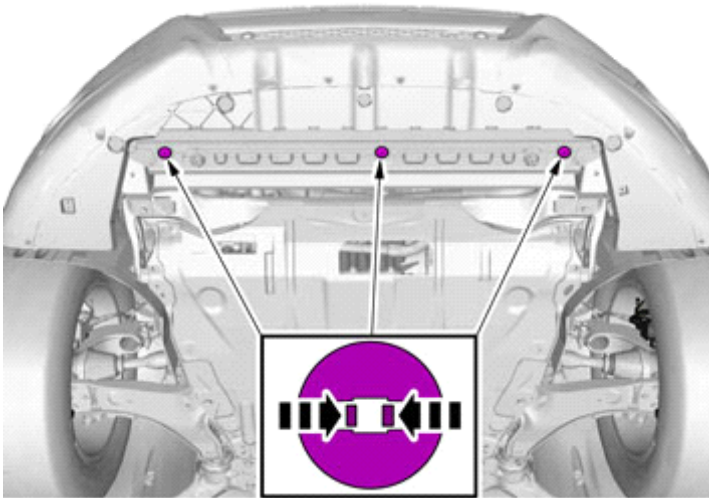
21



IMG-307688

RHD: The procedure is carried out on the opposite side.

22



IMG-307689

Raise the car.

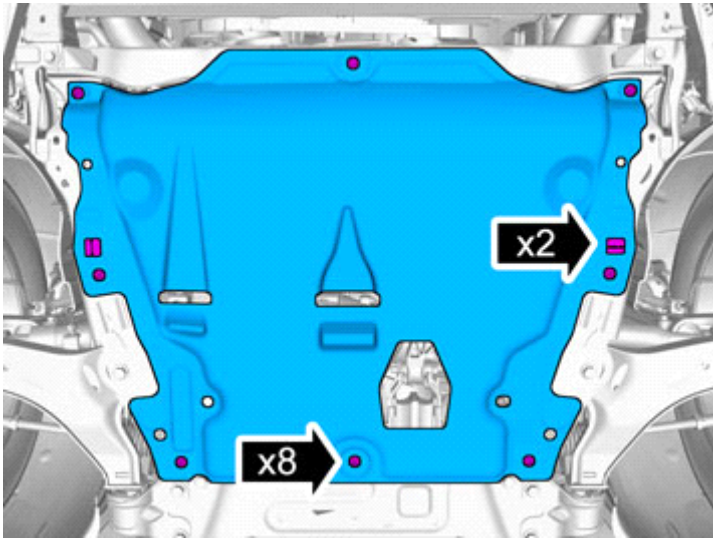
Remove the clips.



Installation instructions, accessories

Volvo Car Corporation Gothenburg, Sweden

23

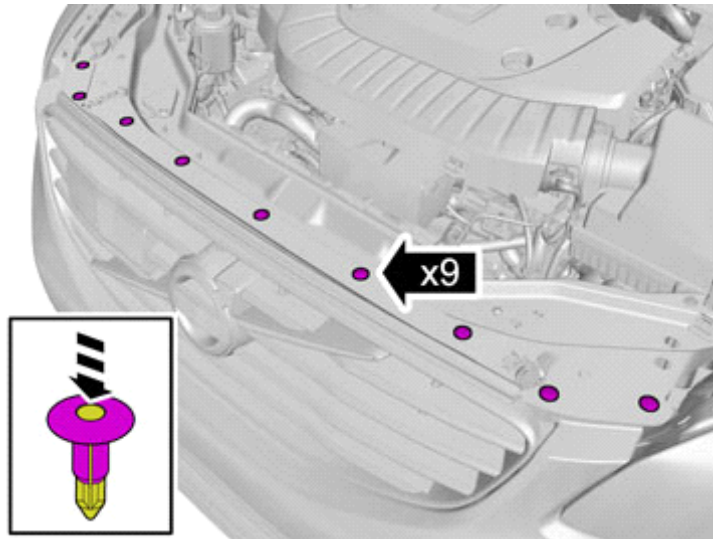


IMG-377609

Remove the clips.

Remove the screws.

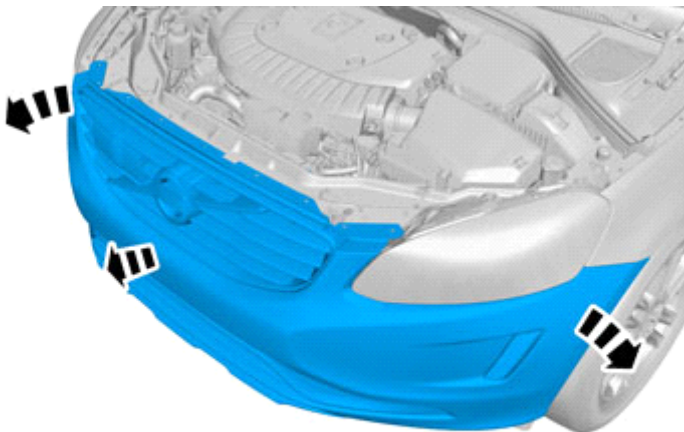
24



IMG-377615

Remove the clips.

25



IMG-377617

Caution!

Place the Bumper Cover on a suitable surface.



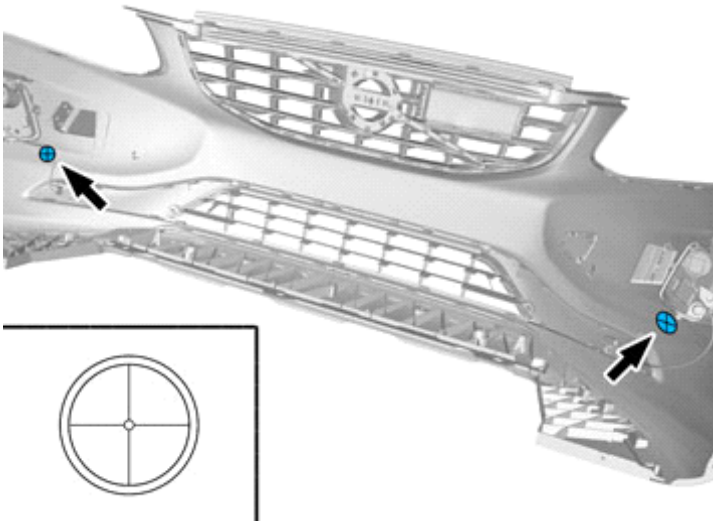
Installation instructions, accessories

Volvo Car Corporation Gothenburg, Sweden

Accessory installation

26

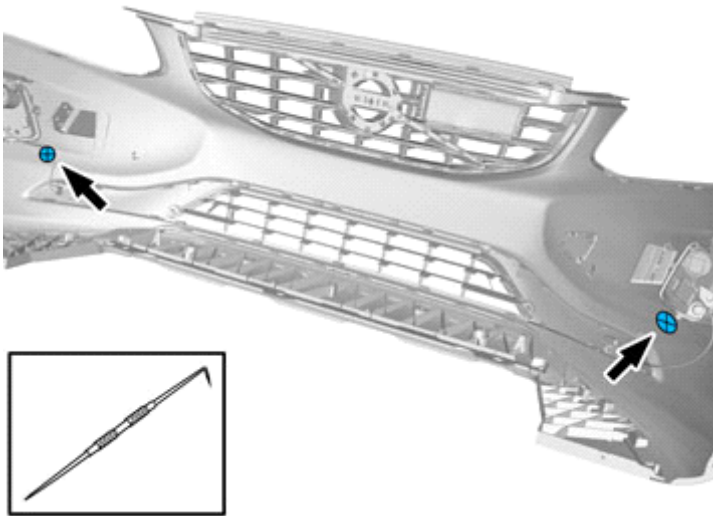
Locate the markings for the positions.



IMG-377621

27

Mark the centre.



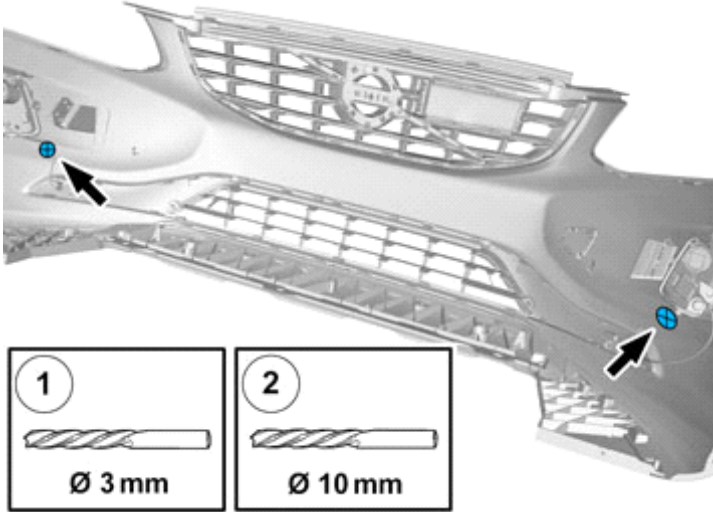
IMG-377622



Installation instructions, accessories

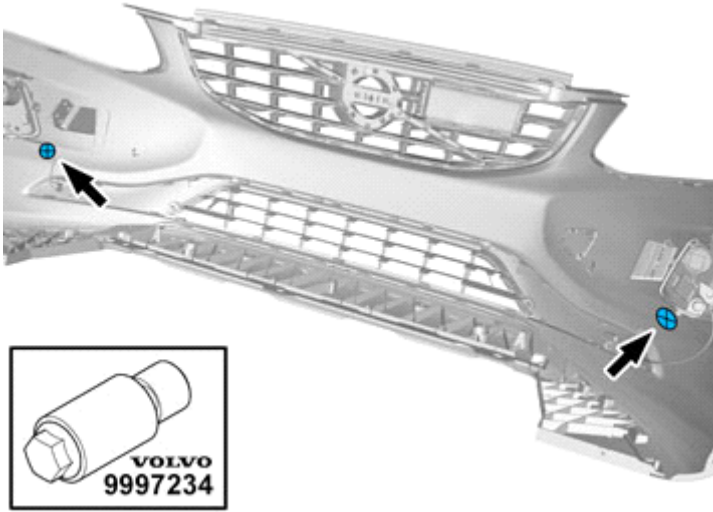
Volvo Car Corporation Gothenburg, Sweden

28



IMG-377623

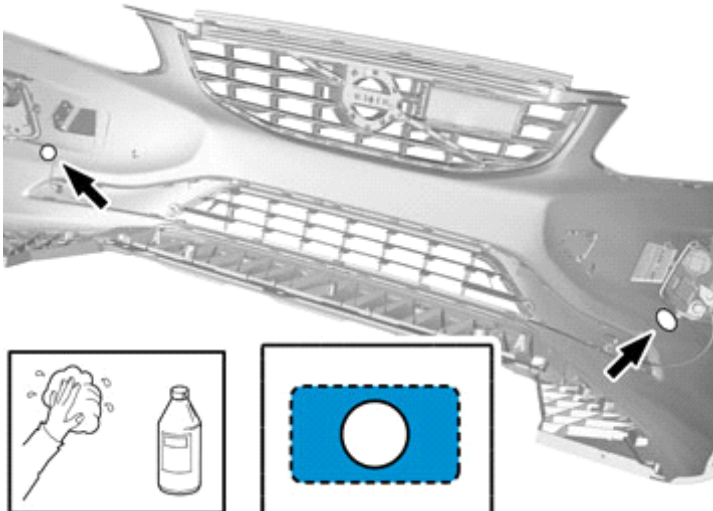
29



IMG-377624

Use special tool: T9997234, Hole stamp

30



IMG-377625

Clean the surfaces.

Use: 1161721, Isopropanol

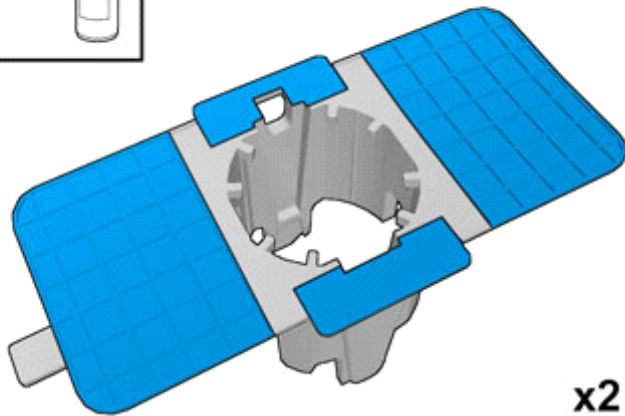
Allow to dry.



Installation instructions, accessories

Volvo Car Corporation Gothenburg, Sweden

31



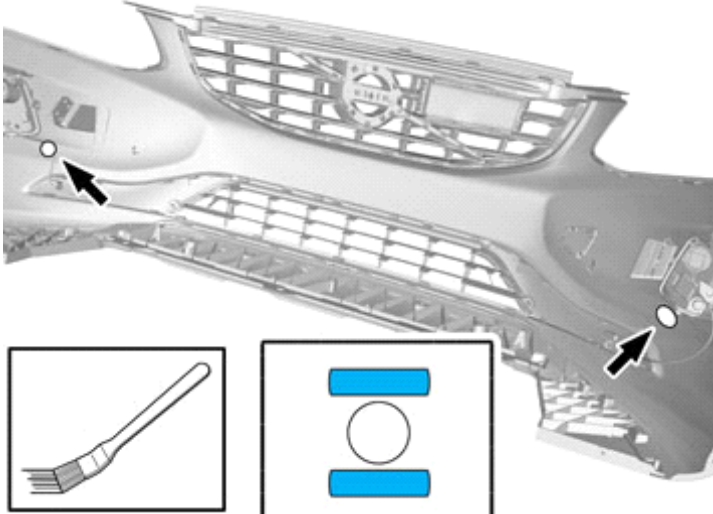
IMG-377641

Clean the surfaces.

Use: 1161721, Isopropanol

Allow to dry.

32



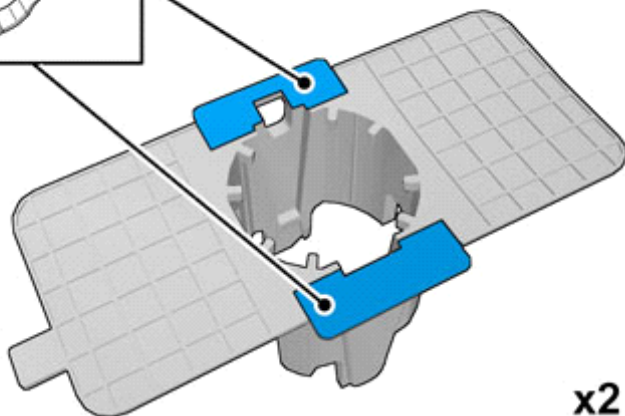
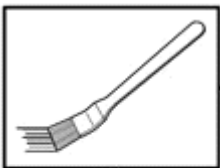
IMG-377626

Apply a thin and even layer.

Use: 8637076, Activator

Allow to dry for at least 10 minutes.

33



IMG-377642

Apply a thin and even layer.

Use: 8637076, Activator

Allow to dry for at least 10 minutes.

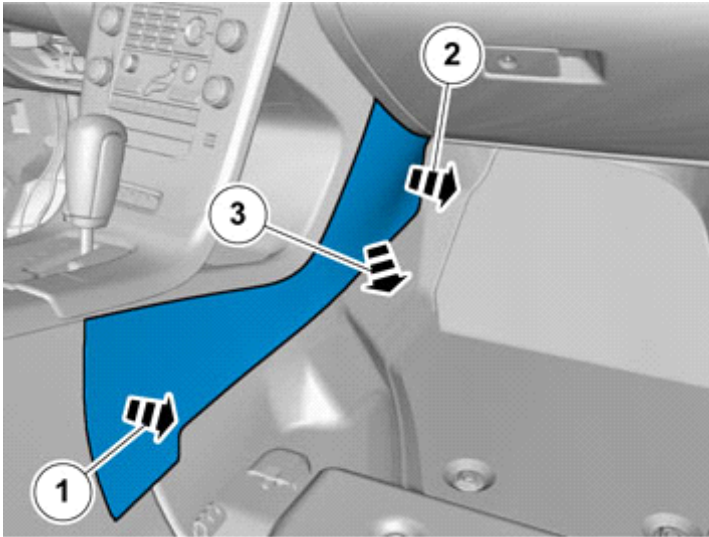


Installation instructions, accessories

Volvo Car Corporation Gothenburg, Sweden

Removal

34



IMG-292826

35



IMG-308353

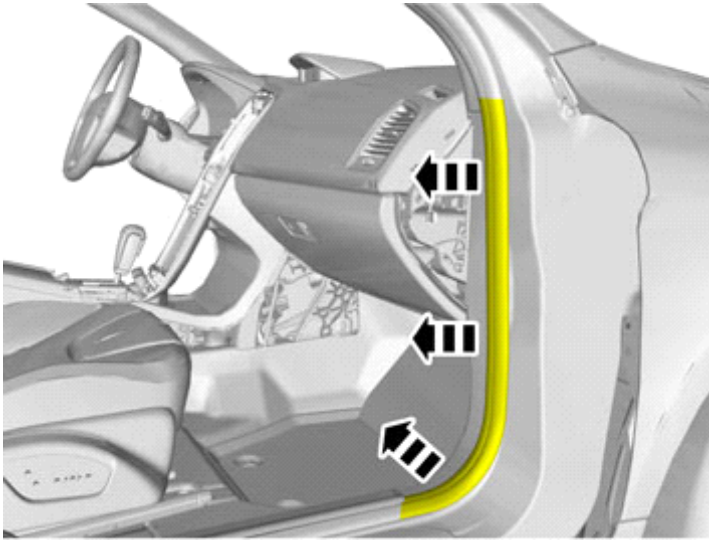
Remove the panel.



Installation instructions, accessories

Volvo Car Corporation Gothenburg, Sweden

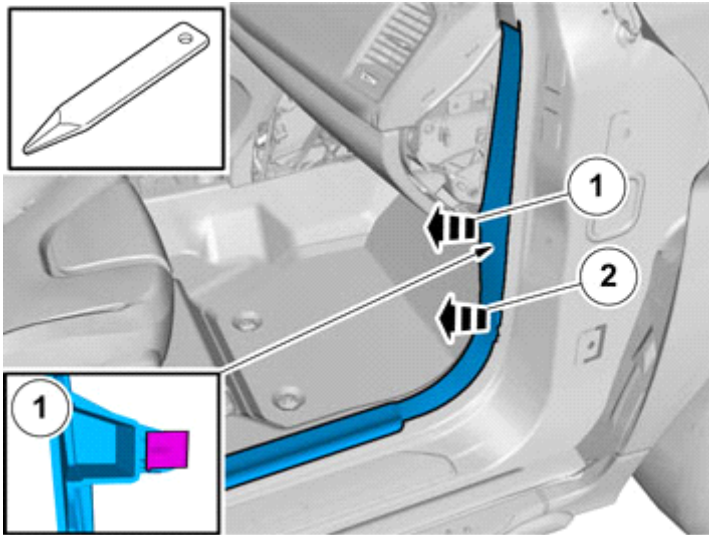
36



IMG-308354

Remove the weatherstrip.

37

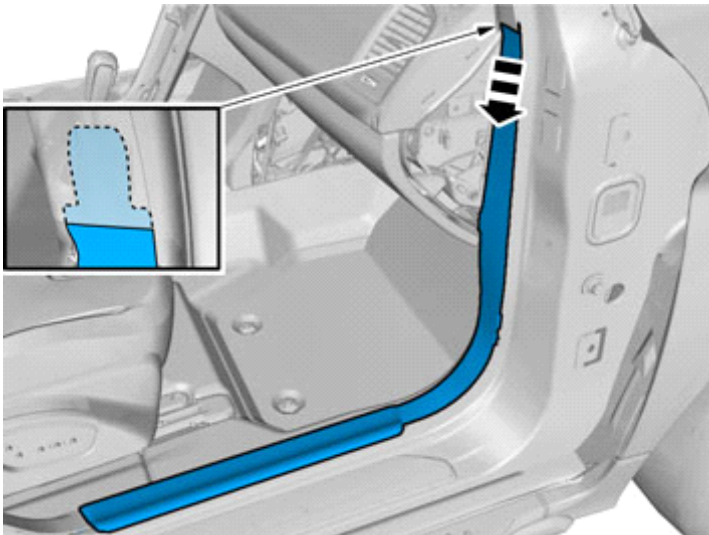


IMG-286863

Caution!

The front and upper sill panel must be removed and installed as one unit.

38



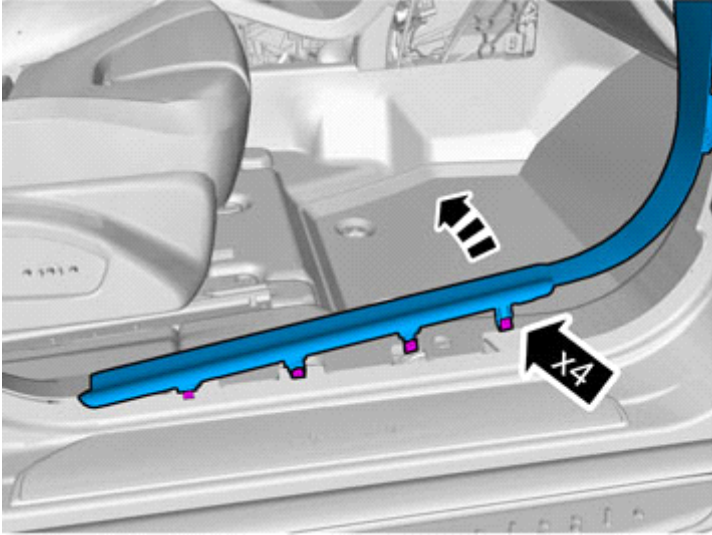
IMG-308355



Installation instructions, accessories

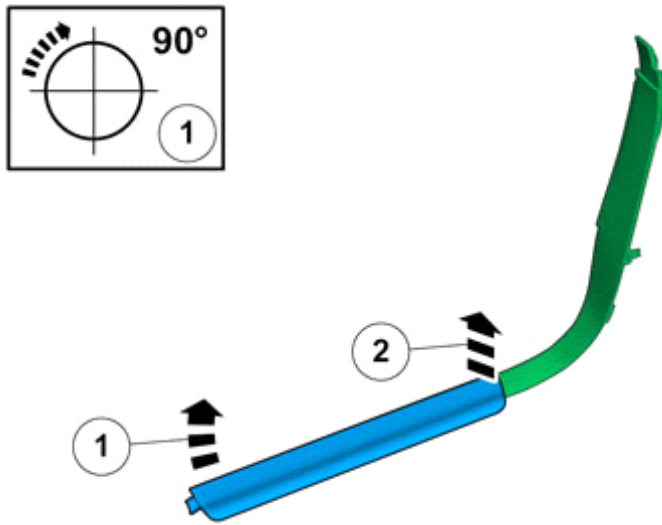
Volvo Car Corporation Gothenburg, Sweden

39



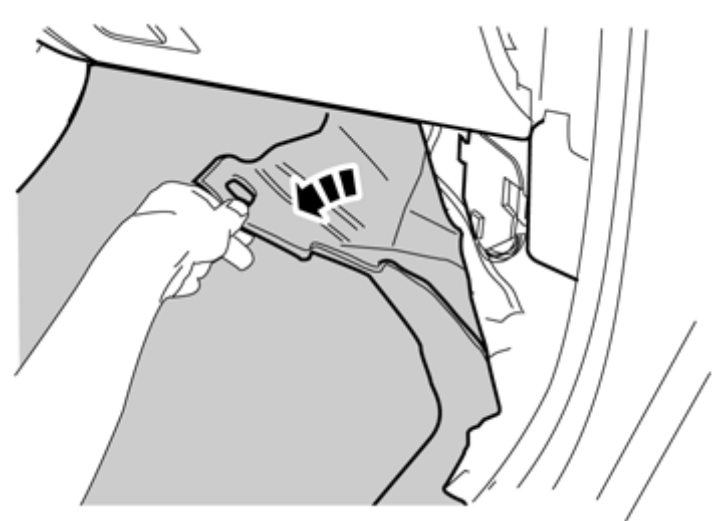
IMG-308356

40



IMG-344451

41



Fold the carpet to the side.

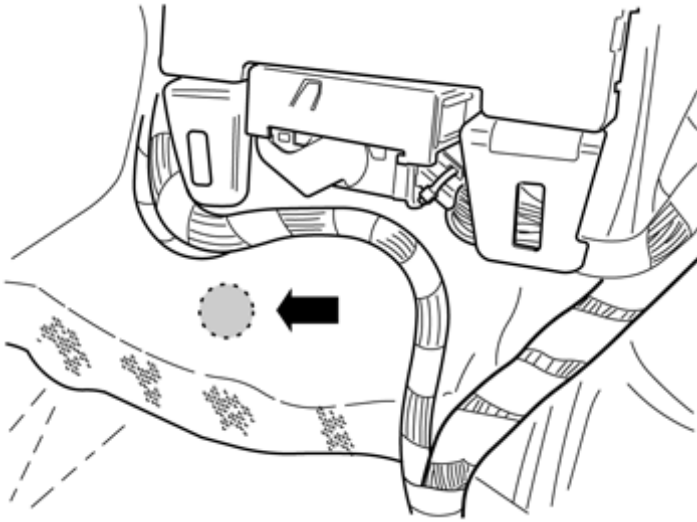
IMG-269484



Installation instructions, accessories

Volvo Car Corporation Gothenburg, Sweden

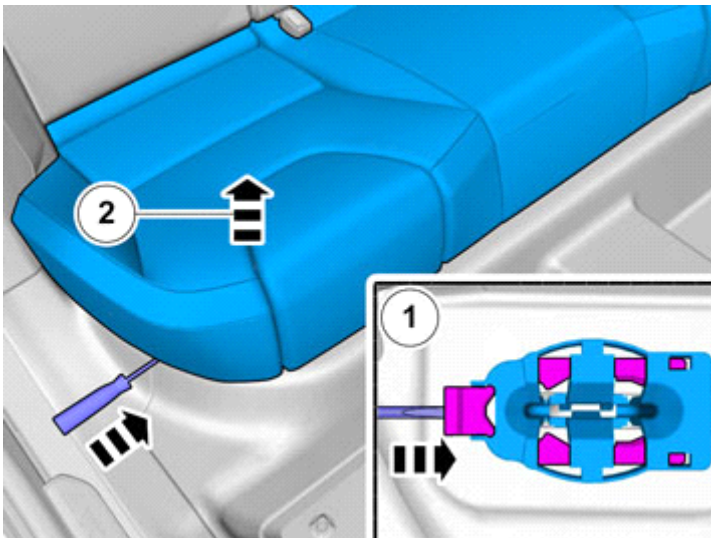
42



IMG-307603

Locate the rubber grommet under the insulation and press it out.

43



IMG-342372

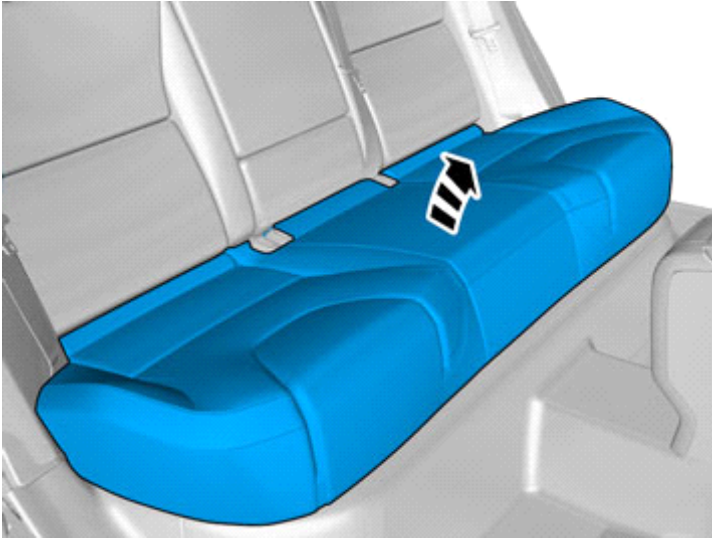
Repeat on the other side.



Installation instructions, accessories

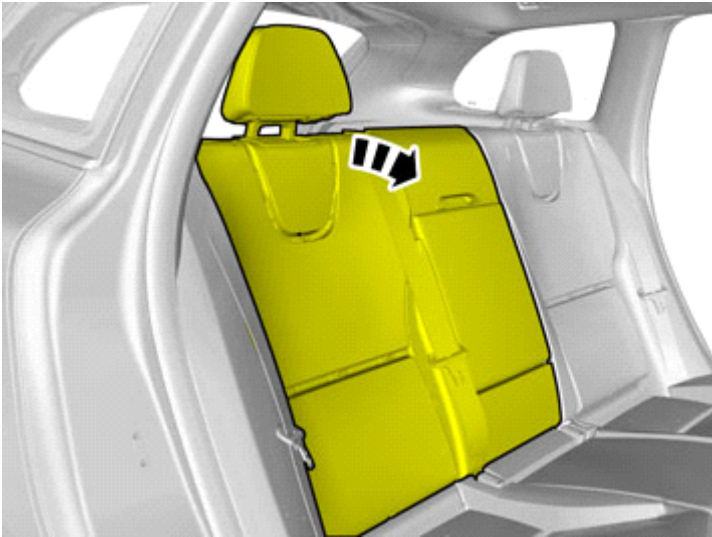
Volvo Car Corporation Gothenburg, Sweden

44



IMG-360124

45



IMG-377298

46



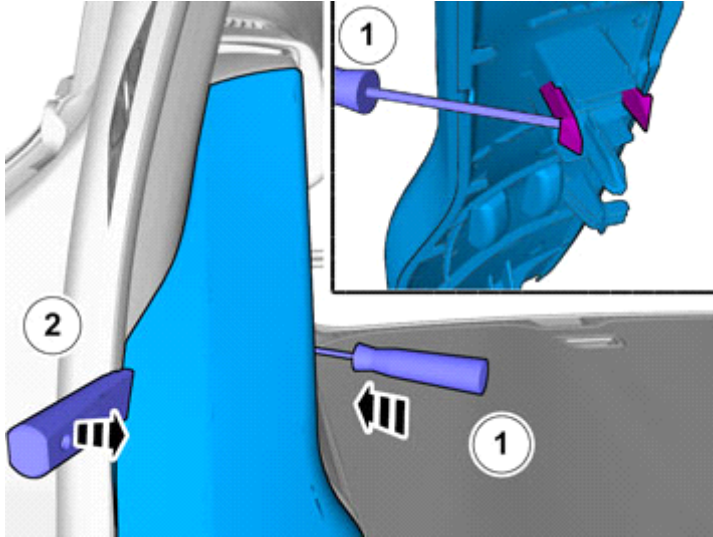
IMG-377299



Installation instructions, accessories

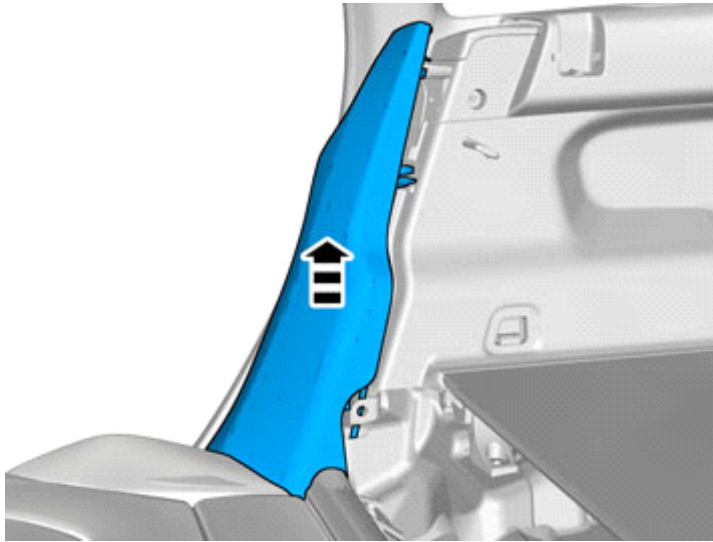
Volvo Car Corporation Gothenburg, Sweden

47



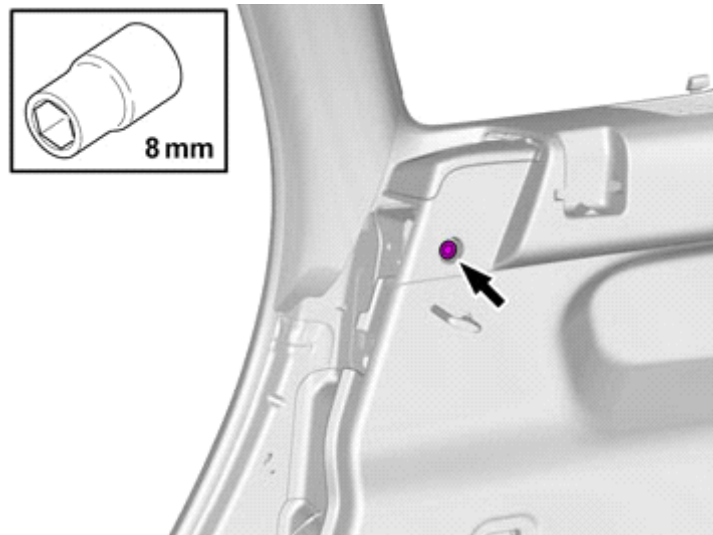
IMG-377300

48



IMG-377302

49



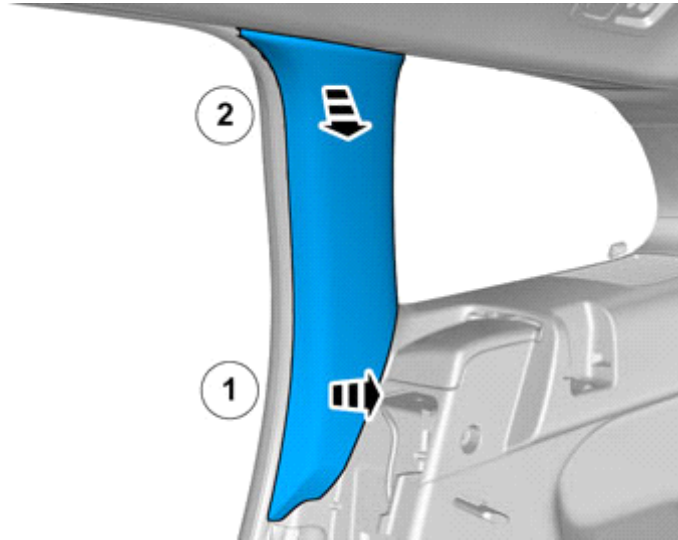
IMG-377309



Installation instructions, accessories

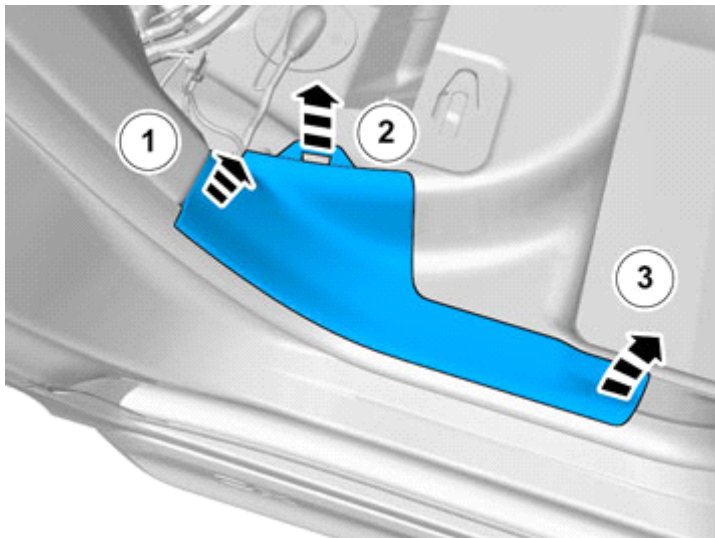
Volvo Car Corporation Gothenburg, Sweden

50



IMG-377320

51



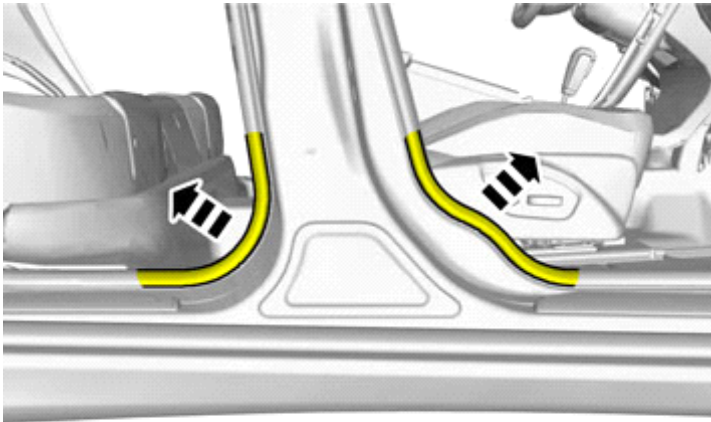
IMG-360186



Installation instructions, accessories

Volvo Car Corporation Gothenburg, Sweden

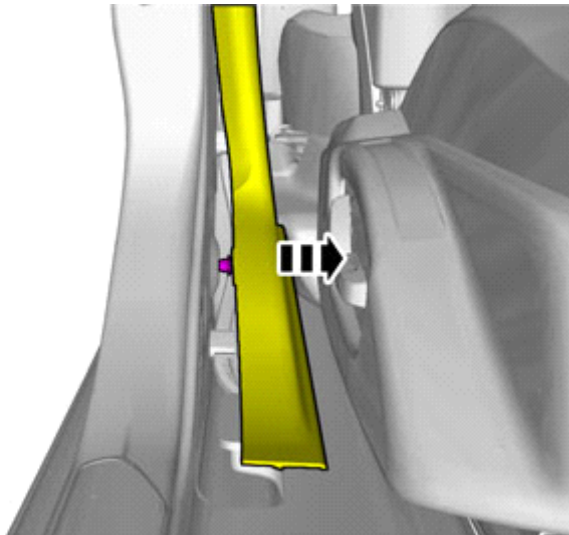
52



Remove the weatherstrips.

IMG-307605

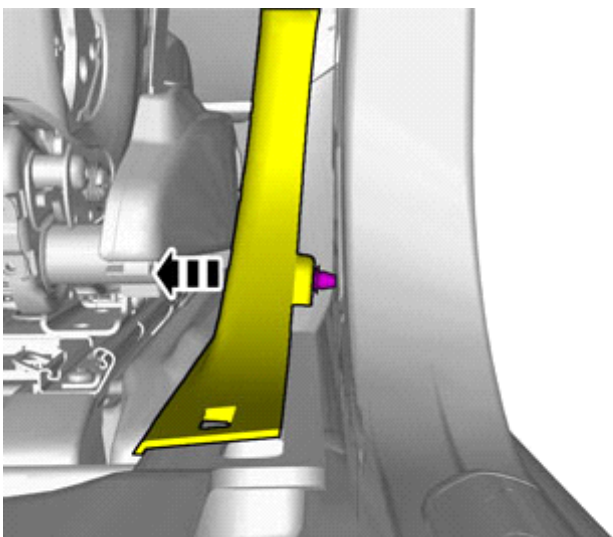
53



Detach the panel.

IMG-307606

54



Detach the panel.

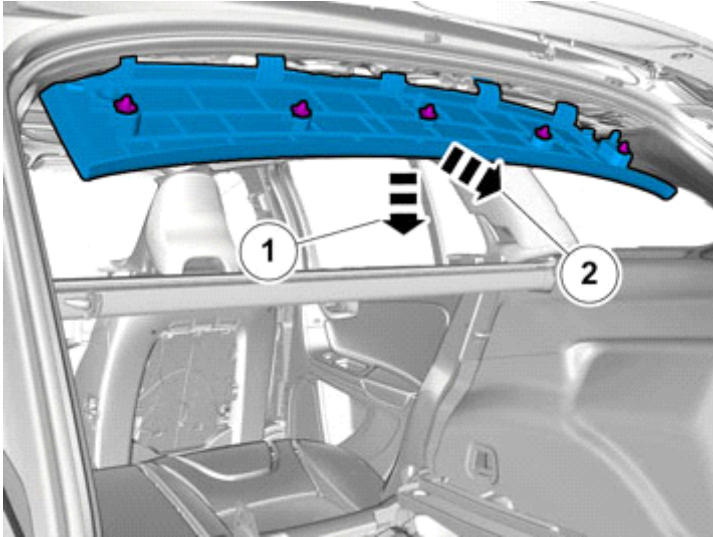
IMG-307607



Installation instructions, accessories

Volvo Car Corporation Gothenburg, Sweden

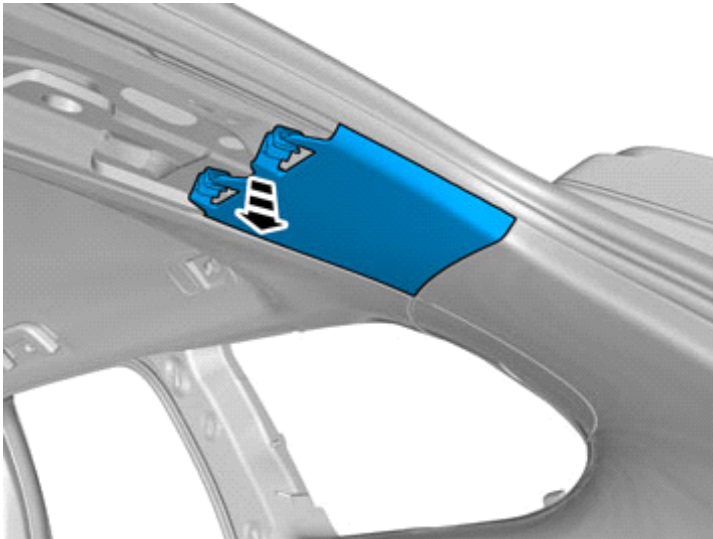
55



IMG-343420

Remove the panel.

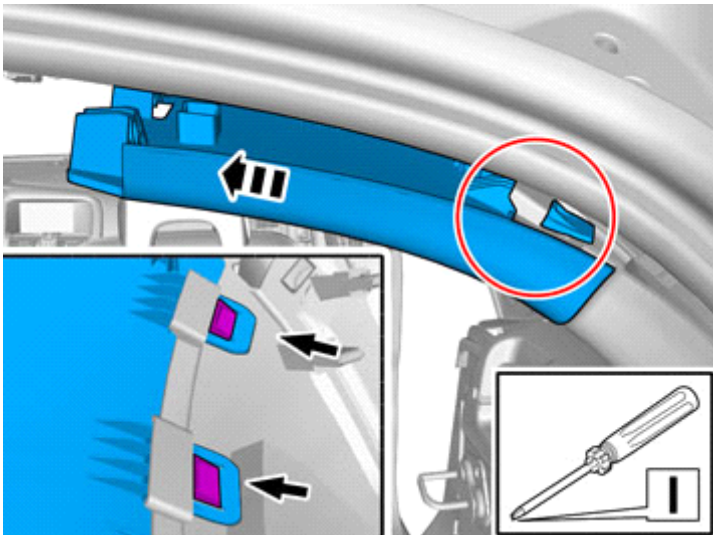
56



IMG-377345

Detach the panel.

57



IMG-377347

Release the catches.

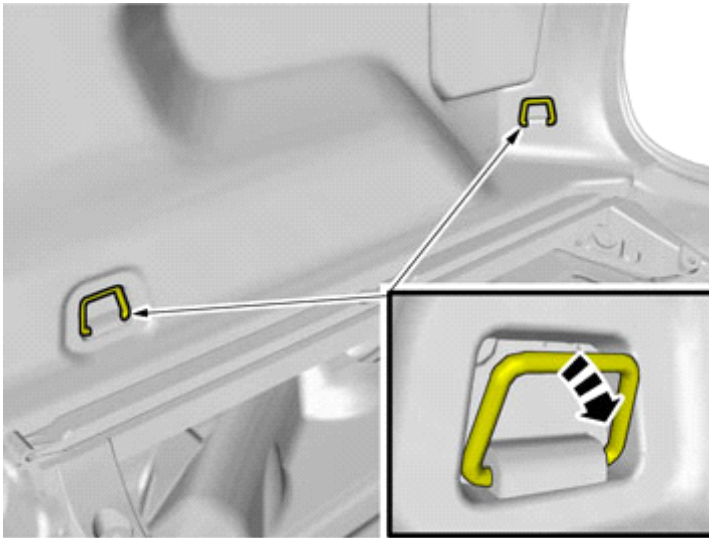
Remove the panel.



Installation instructions, accessories

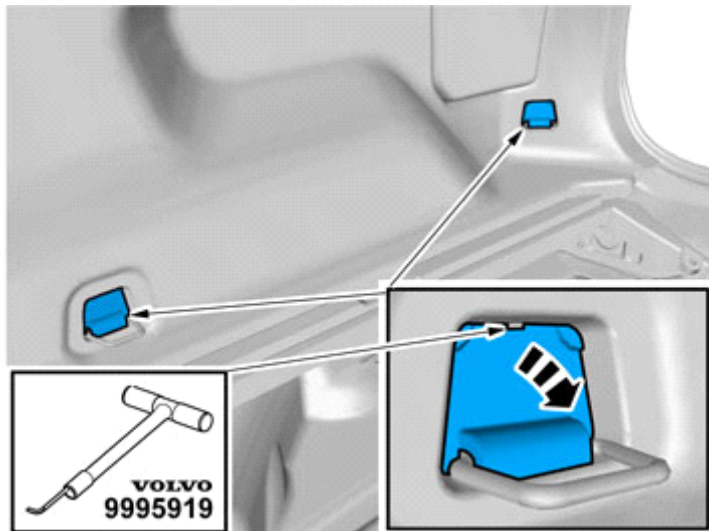
Volvo Car Corporation Gothenburg, Sweden

58



IMG-307608

59



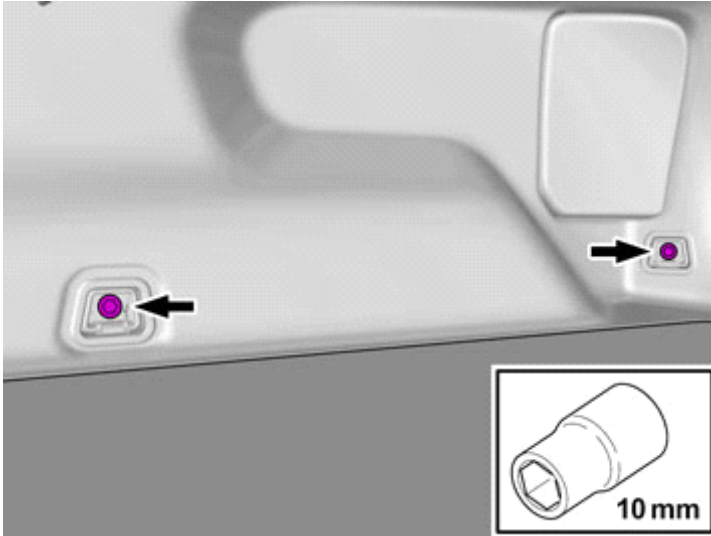
IMG-307609



Installation instructions, accessories

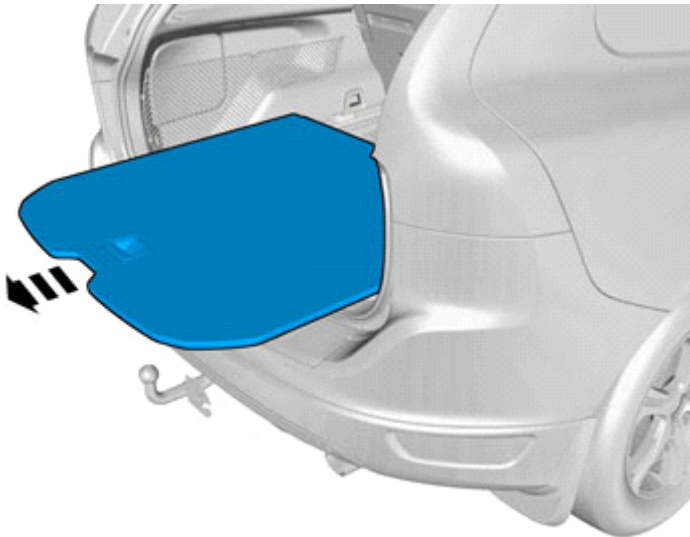
Volvo Car Corporation Gothenburg, Sweden

60



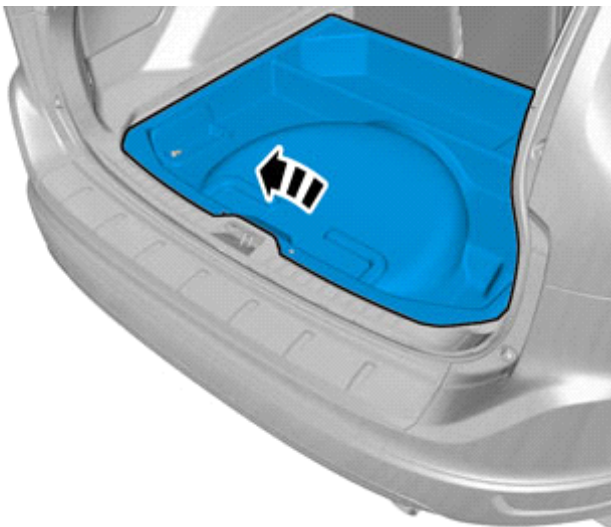
IMG-377342

61



IMG-346921

62



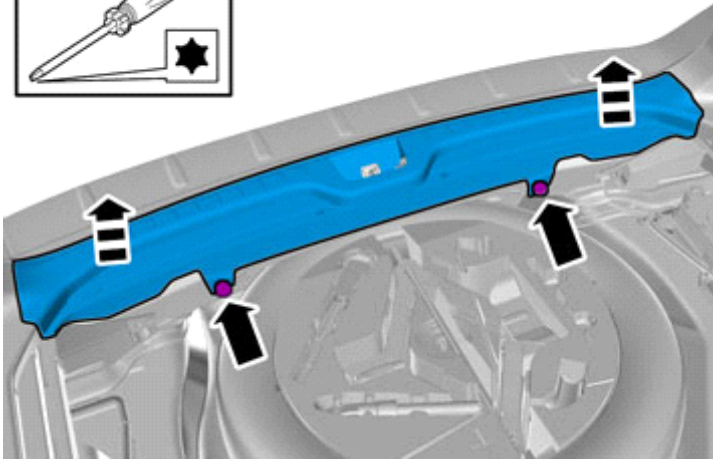
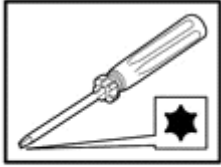
IMG-346811



Installation instructions, accessories

Volvo Car Corporation Gothenburg, Sweden

63

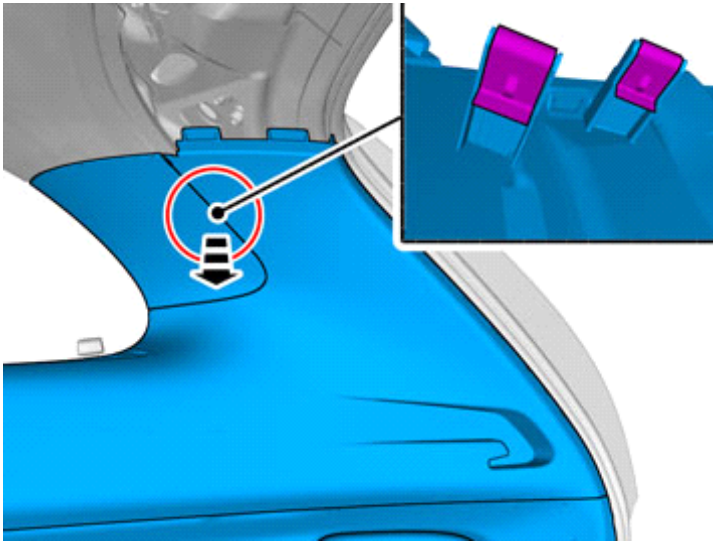


IMG-346861

Remove the screws.

Remove the panel.

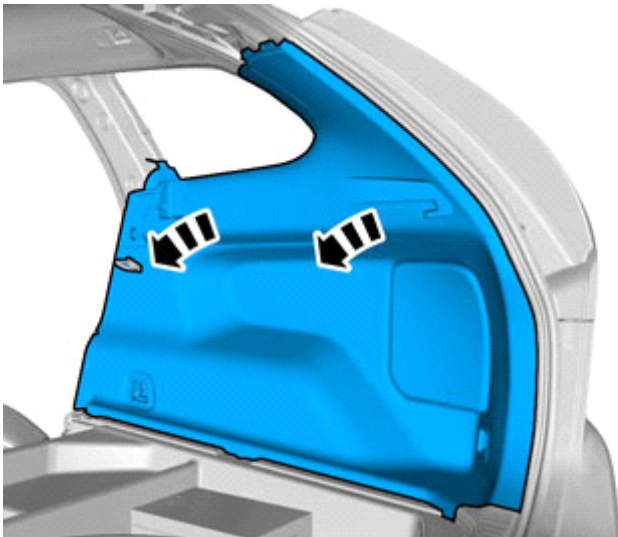
64



IMG-377350

Detach the panel.

65



IMG-377352

Remove the panel.

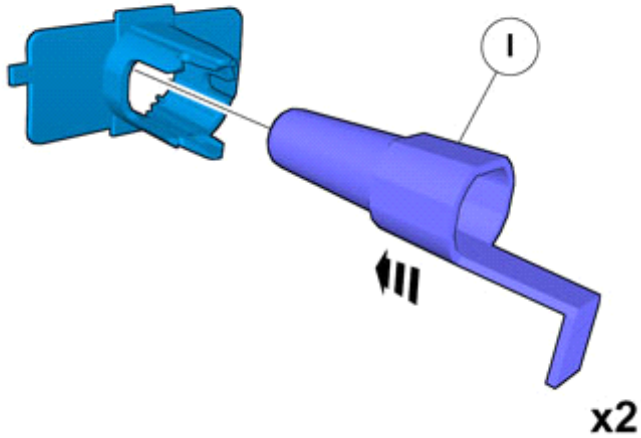


Installation instructions, accessories

Volvo Car Corporation Gothenburg, Sweden

Accessory installation

66

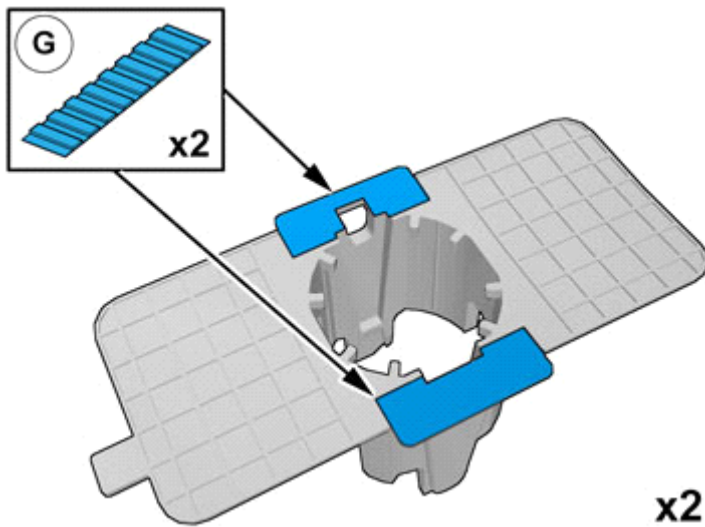


IMG-377666

Note!

Prepare and install one holder at a time.

67



IMG-377644

Note!

Ensure that the tape is fixed to the surface.

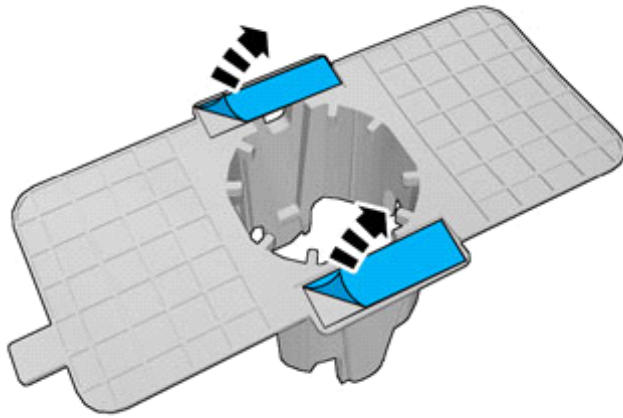


Installation instructions, accessories

Volvo Car Corporation Gothenburg, Sweden

68

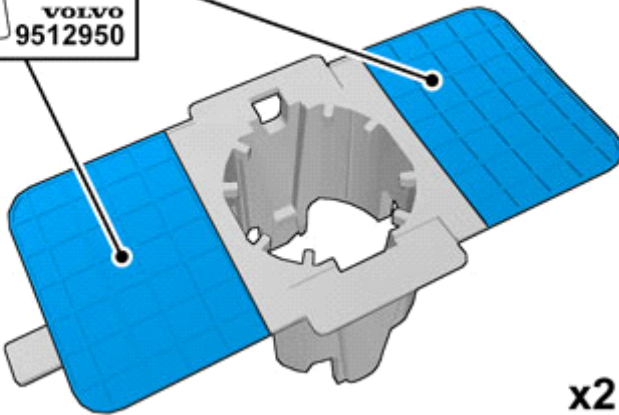
Remove the protective film.



x2

IMG-377648

69



x2

IMG-377645

Warning!

Wear protective gloves.

Warning!

Make sure to provide adequate ventilation.

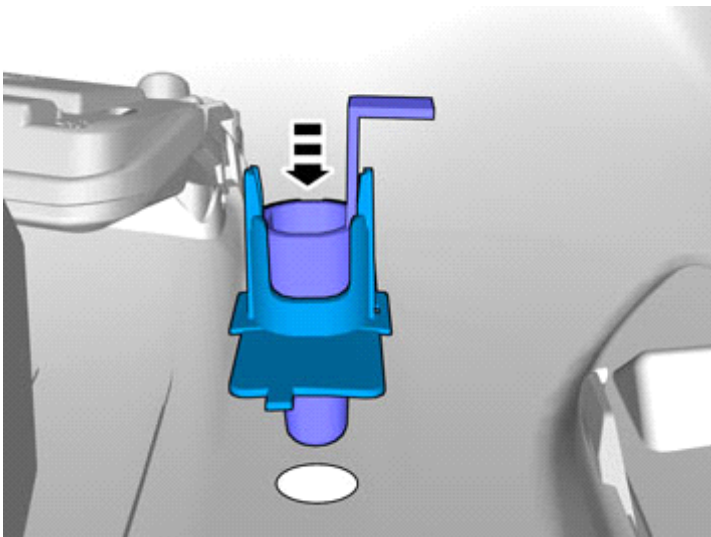
Apply a thin and even layer.

Use special tool: T9512950, Glue gun (kit)

Use: 1161730, Mixing pipe

Use: 9511027, Glue

70



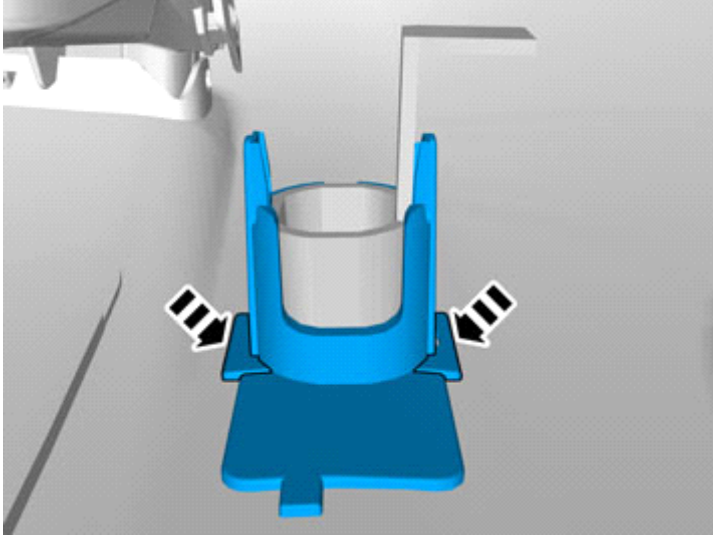
IMG-377703



Installation instructions, accessories

Volvo Car Corporation Gothenburg, Sweden

71

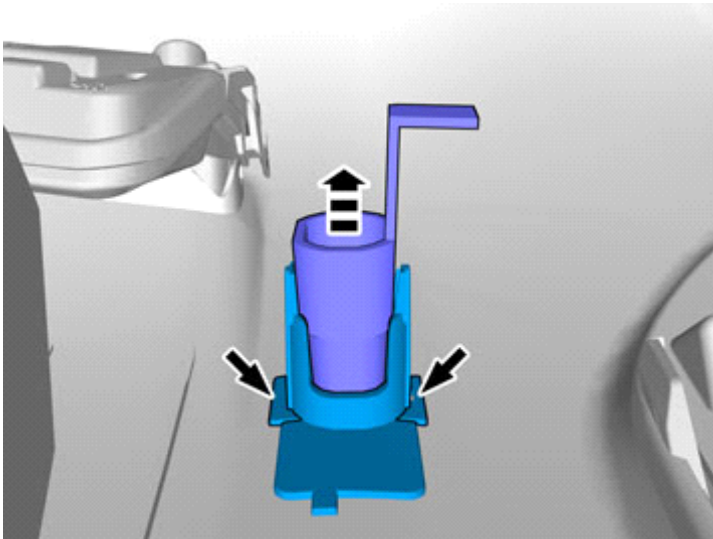


IMG-377707

Note!

Apply pressure only where the tape is located.

72

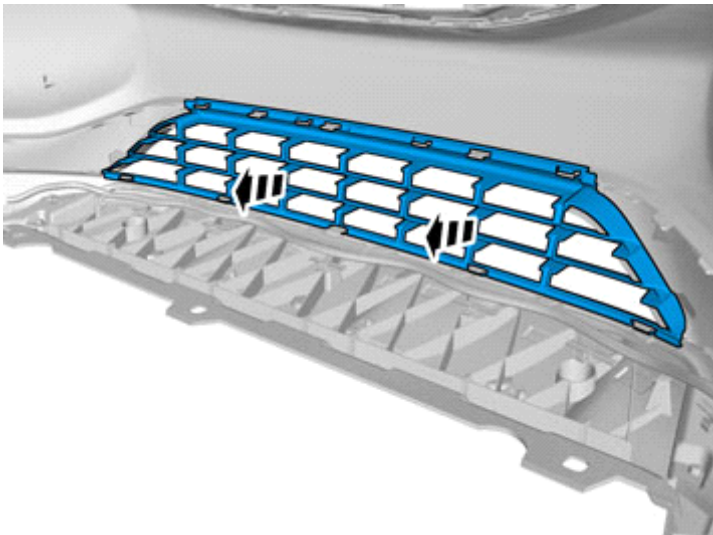


IMG-377711

Note!

Hold the part securely at the marker arrows when removing the tool.

73



IMG-377620

Release the catches.

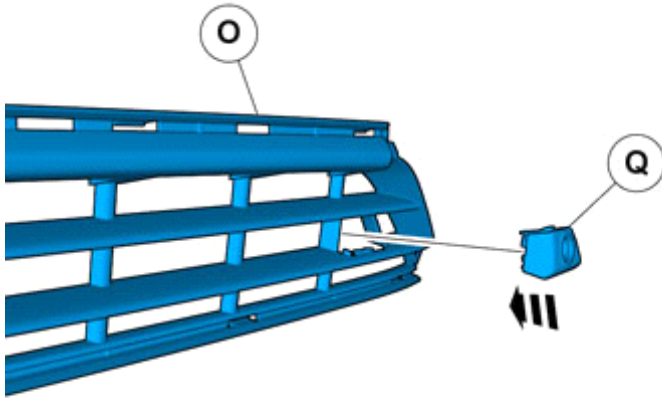
The part is not to be reused.



Installation instructions, accessories

Volvo Car Corporation Gothenburg, Sweden

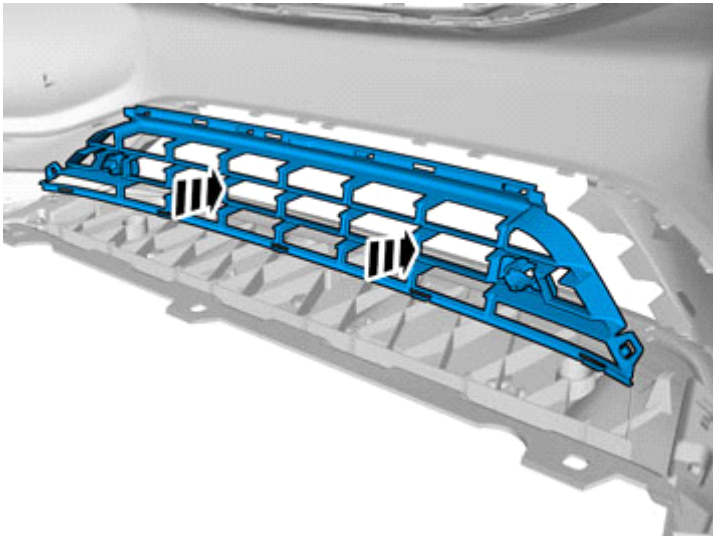
74



x2

IMG-377627

75



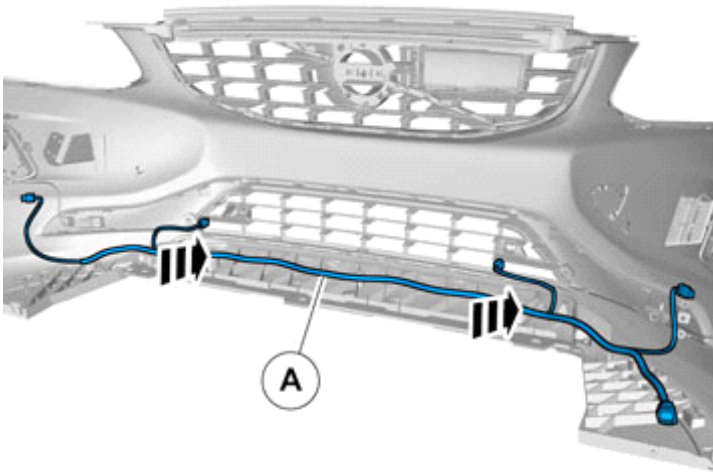
IMG-377628



Installation instructions, accessories

Volvo Car Corporation Gothenburg, Sweden

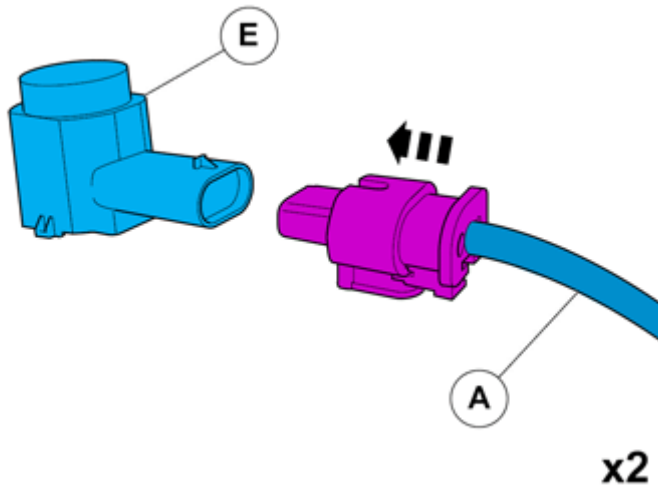
76



RHD: The cable harness is positioned mirrored.

IMG-377632

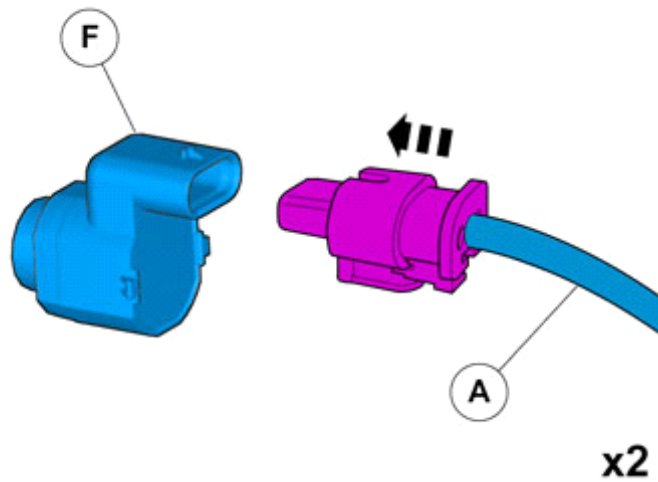
77



Connect the two painted sensors to the external connections.

IMG-377676

78



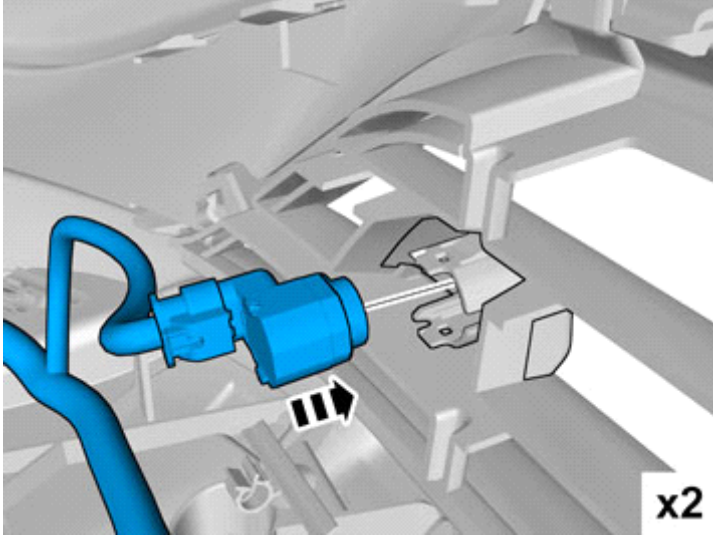
IMG-377677



Installation instructions, accessories

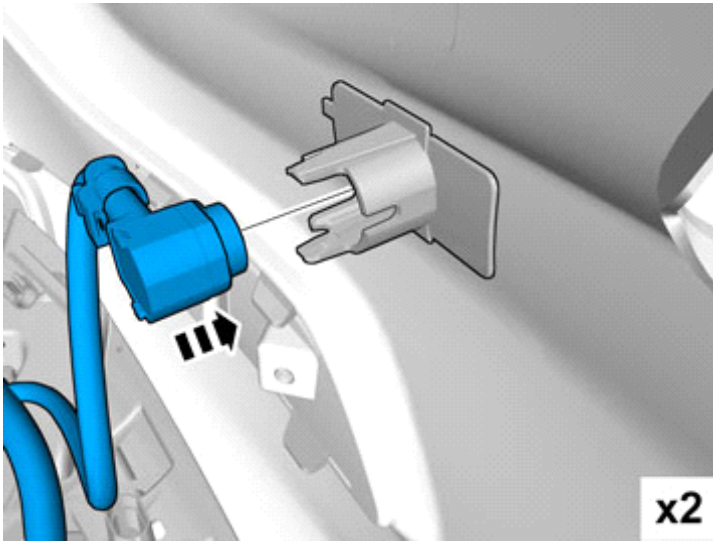
Volvo Car Corporation Gothenburg, Sweden

79



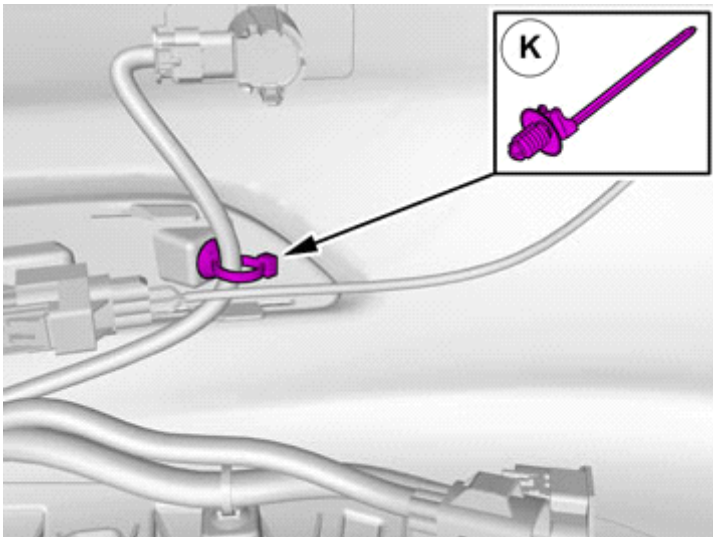
IMG-377713

80



IMG-377717

81



IMG-377634

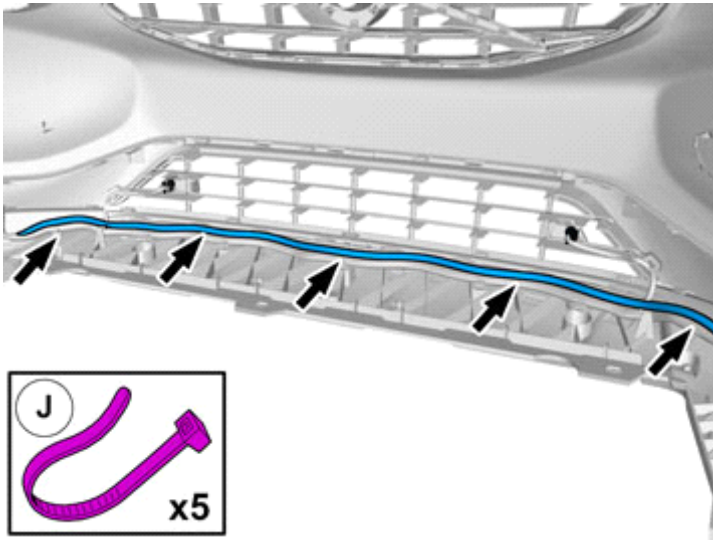
Repeat on the other side.



Installation instructions, accessories

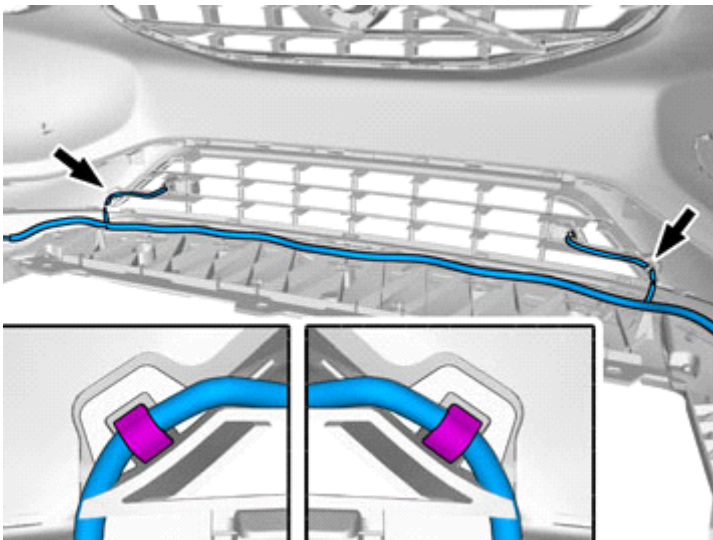
Volvo Car Corporation Gothenburg, Sweden

82



IMG-37755

83



IMG-37756

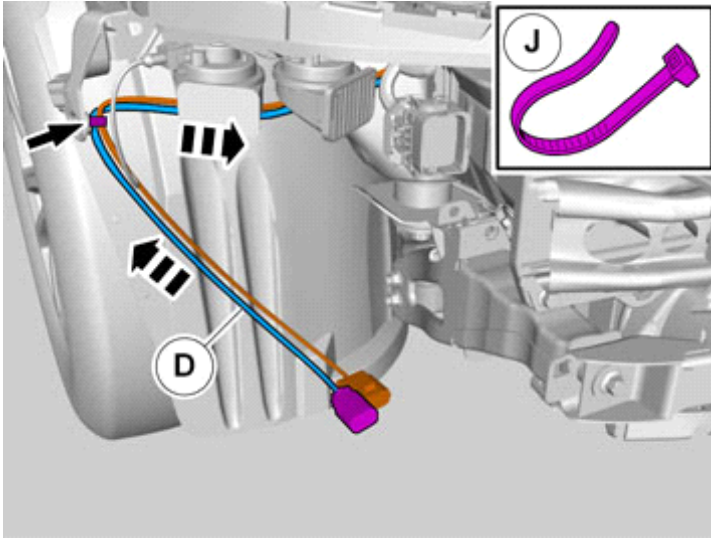
Left hand drive vehicles



Installation instructions, accessories

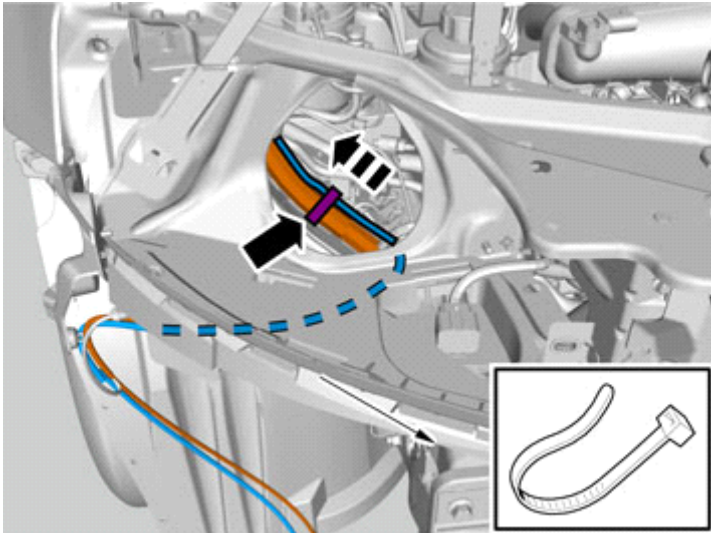
Volvo Car Corporation Gothenburg, Sweden

84



IMG-377720

85



IMG-307882

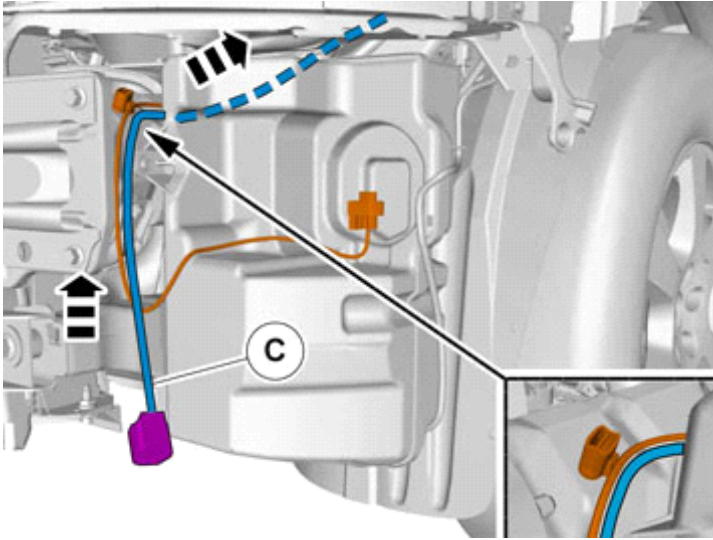
Right-hand drive vehicles



Installation instructions, accessories

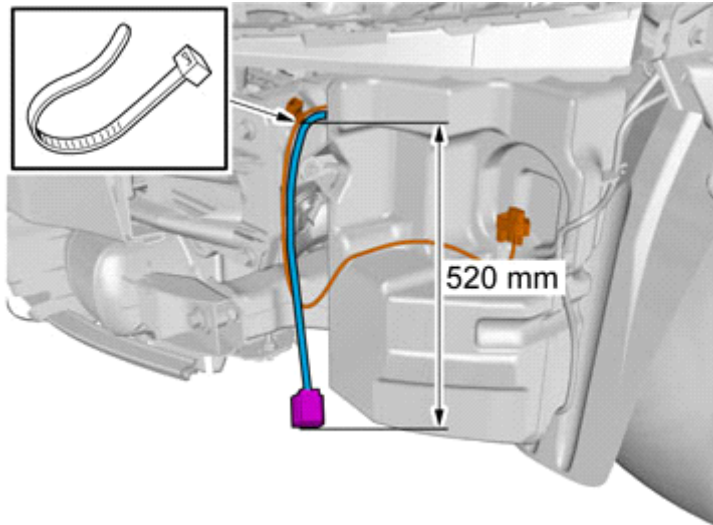
Volvo Car Corporation Gothenburg, Sweden

86



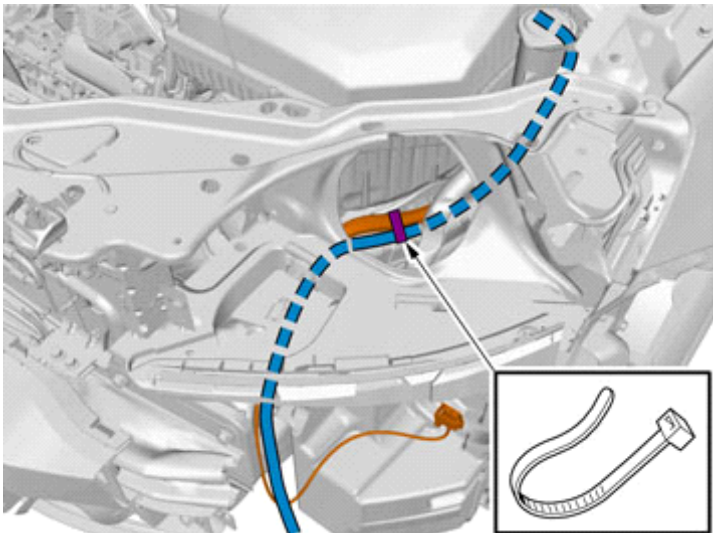
IMG-377719

87



IMG-307886

88



IMG-307903

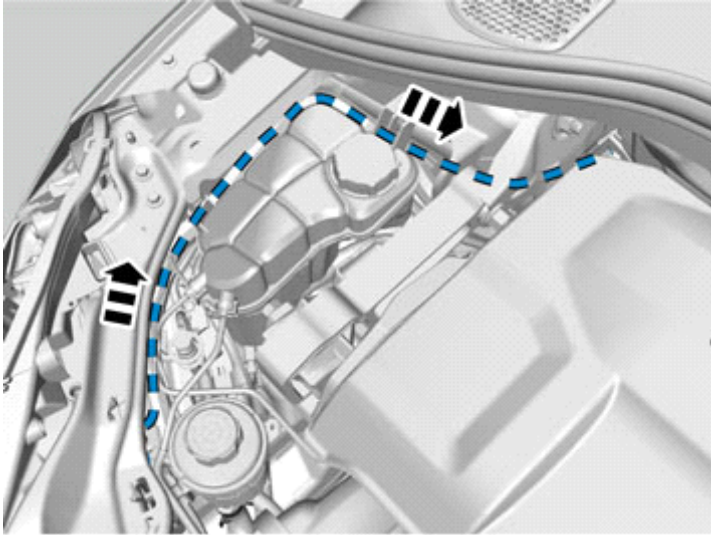


Installation instructions, accessories

Volvo Car Corporation Gothenburg, Sweden

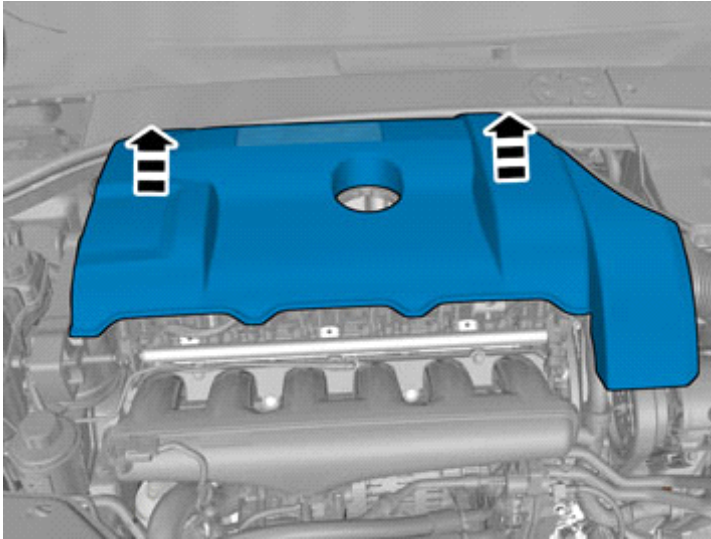
Left hand drive vehicles

89



IMG-307909

90



IMG-273585

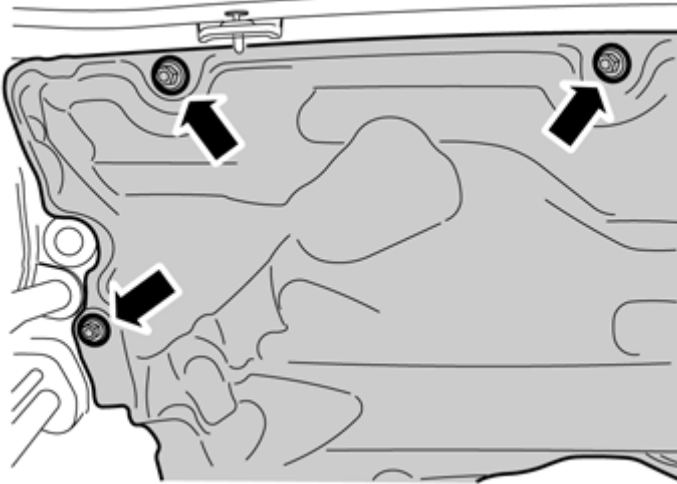


Installation instructions, accessories

Volvo Car Corporation Gothenburg, Sweden

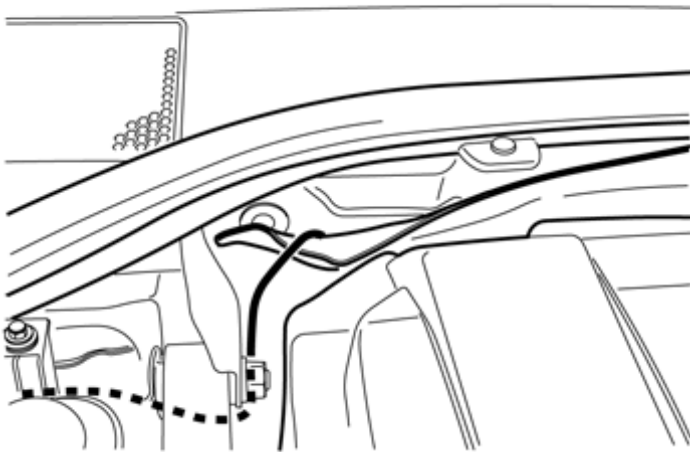
91

Remove the nuts.



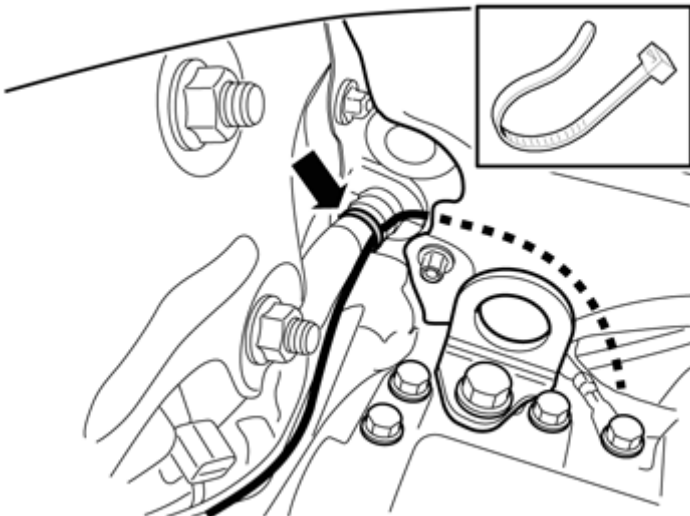
IMG-273586

92



IMG-273587

93



IMG-273588

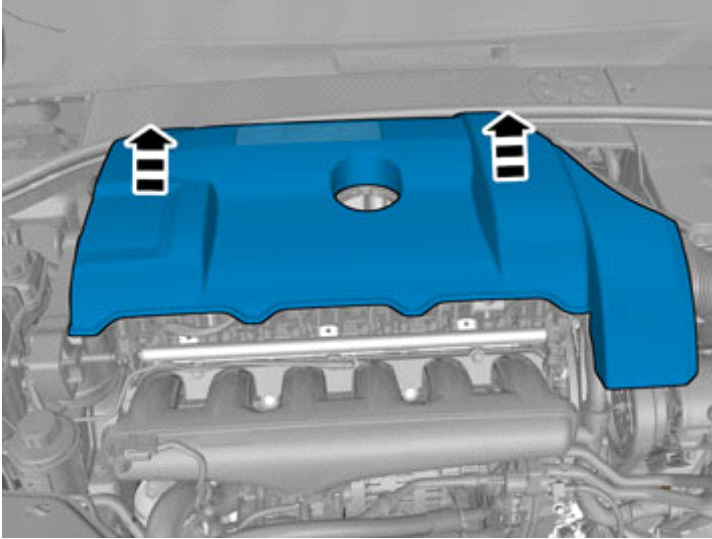


Installation instructions, accessories

Volvo Car Corporation Gothenburg, Sweden

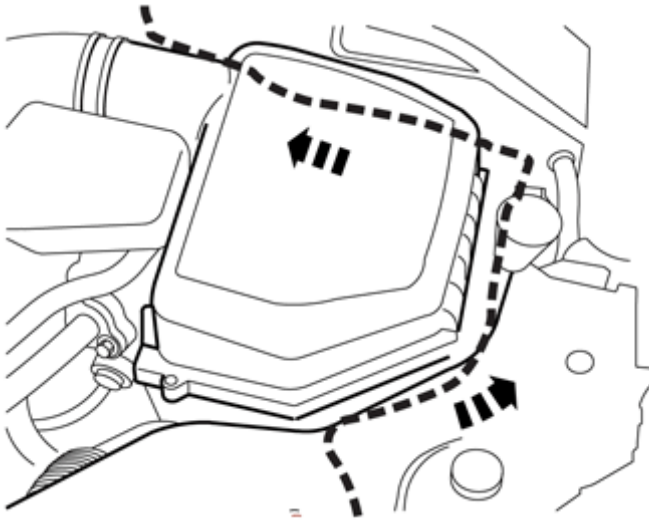
Right-hand drive vehicles

94



IMG-273585

95



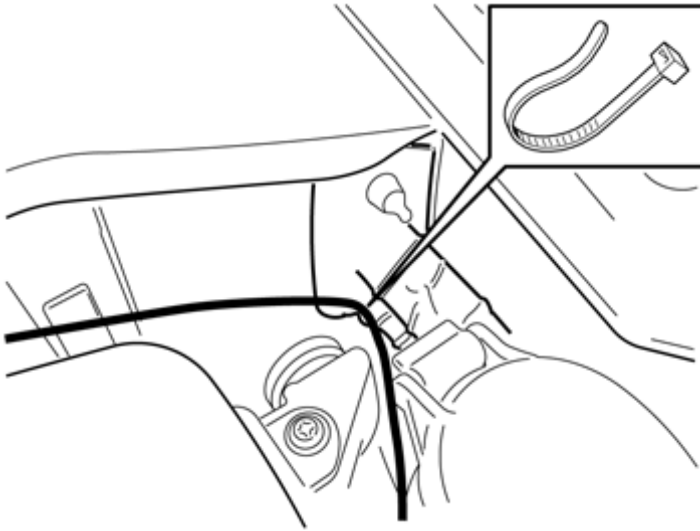
IMG-307910



Installation instructions, accessories

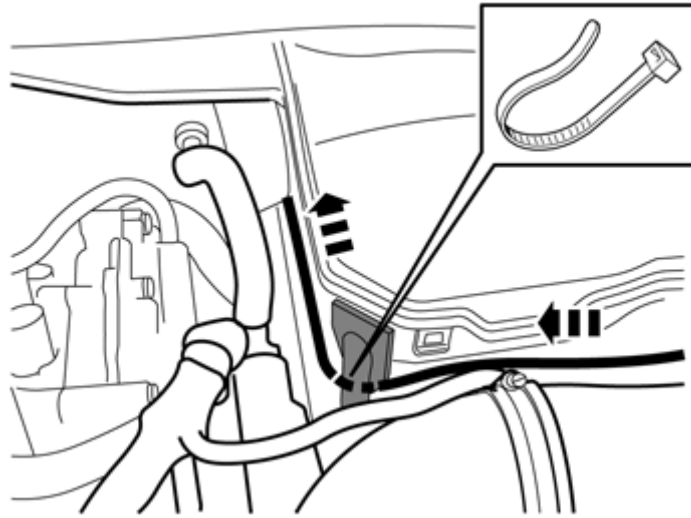
Volvo Car Corporation Gothenburg, Sweden

96



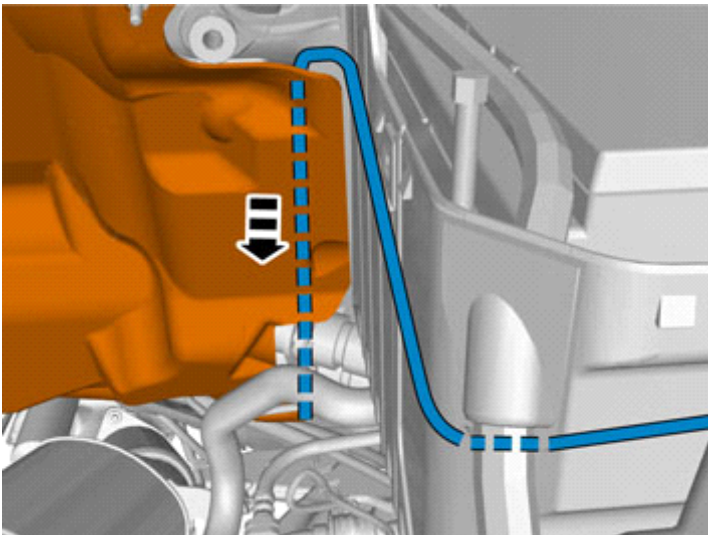
IMG-307911

97



IMG-307912

98



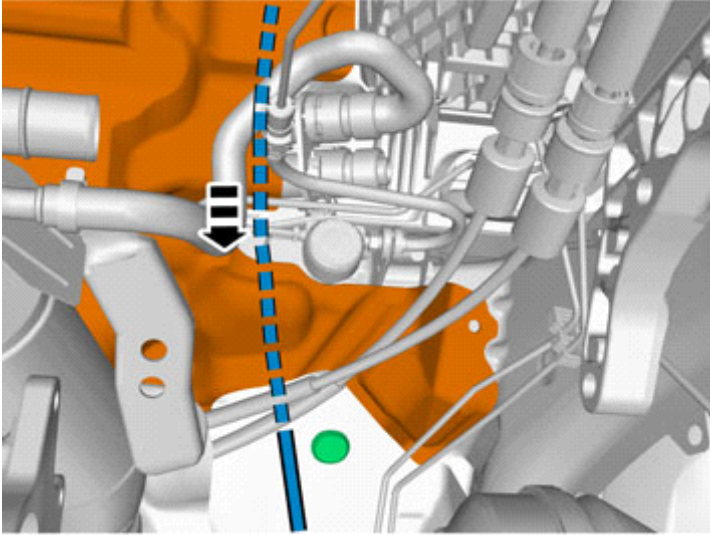
IMG-307913



Installation instructions, accessories

Volvo Car Corporation Gothenburg, Sweden

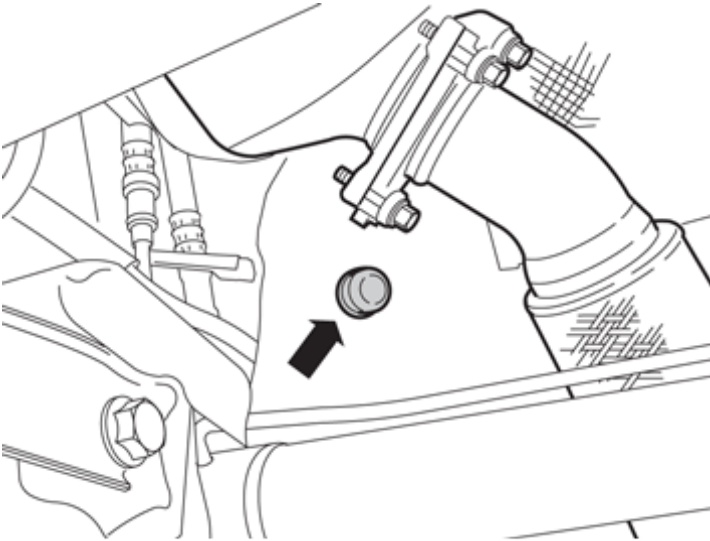
99



IMG-307914

All vehicles

100



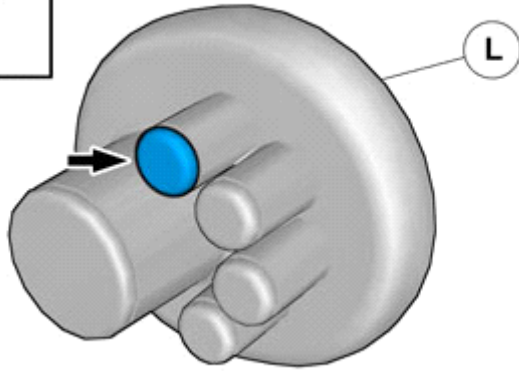
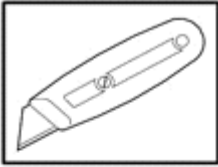
IMG-236054



Installation instructions, accessories

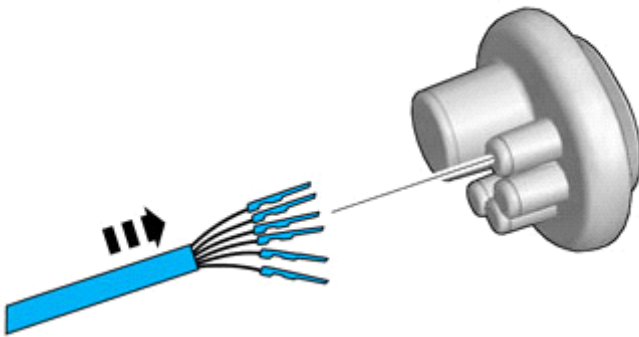
Volvo Car Corporation Gothenburg, Sweden

101



IMG-377670

102



Pull the wiring through.

Insert the cable in to the passenger compartment, adjust the cable length out into the engine compartment and secure the rubber grommet.

IMG-377675

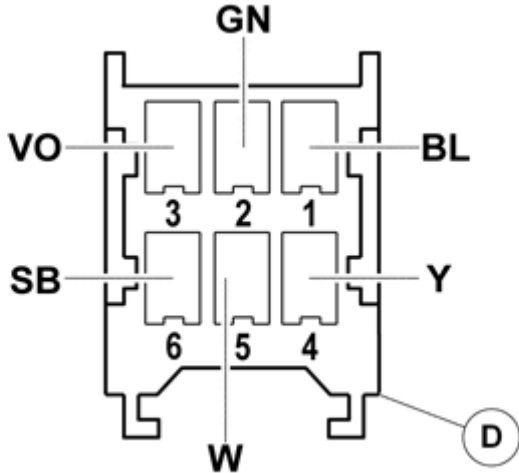
Left hand drive vehicles



Installation instructions, accessories

Volvo Car Corporation Gothenburg, Sweden

103



IMG-377671

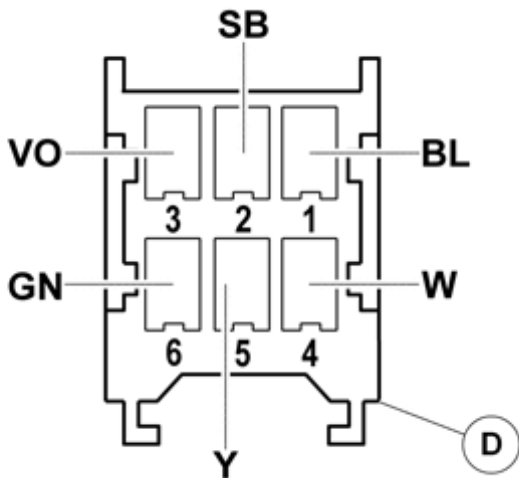
Release the connector's secondary lock.

Connect the pre-routed cables to the 6-pin connector.

Depress the secondary lock.

Right-hand drive vehicles

104



IMG-377672

Release the connector's secondary lock.

Connect the pre-routed cables to the 6-pin connector.

Depress the secondary lock.

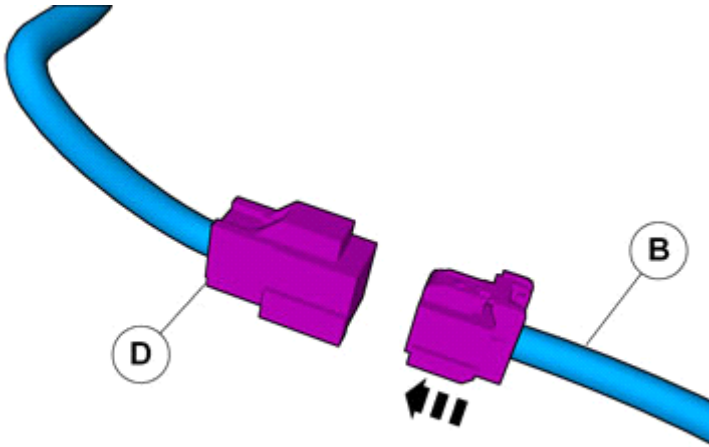
All vehicles



Installation instructions, accessories

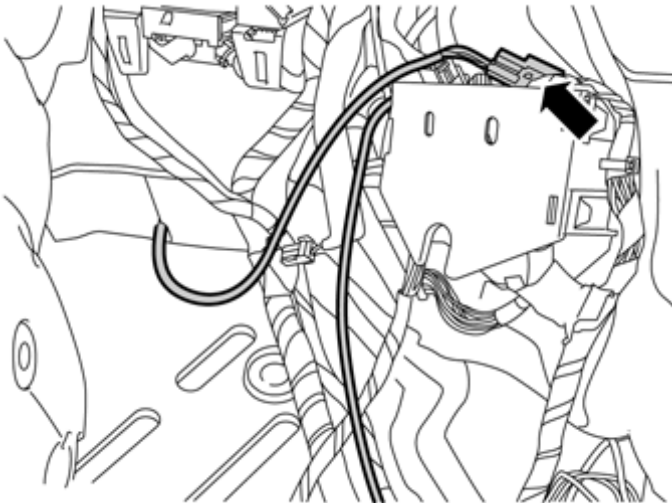
Volvo Car Corporation Gothenburg, Sweden

105



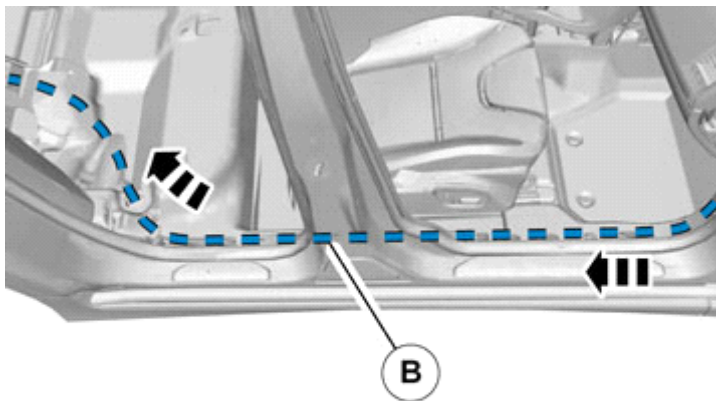
IMG-377673

106



IMG-249181

107



IMG-377674

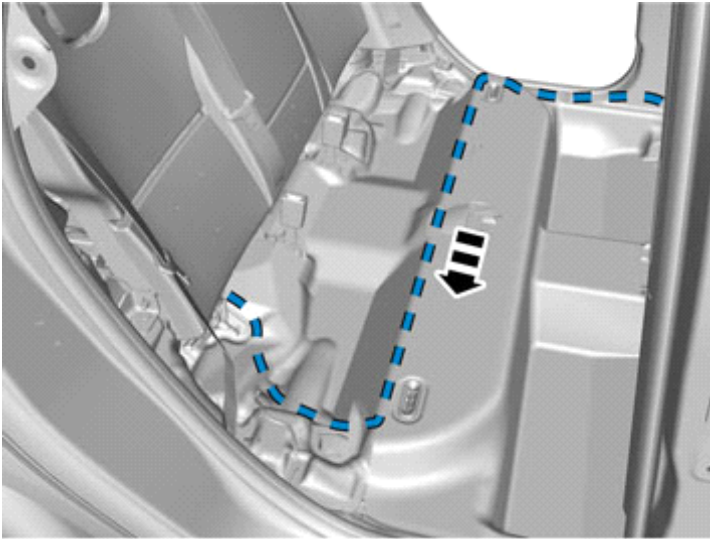


Installation instructions, accessories

Volvo Car Corporation Gothenburg, Sweden

Right-hand drive vehicles

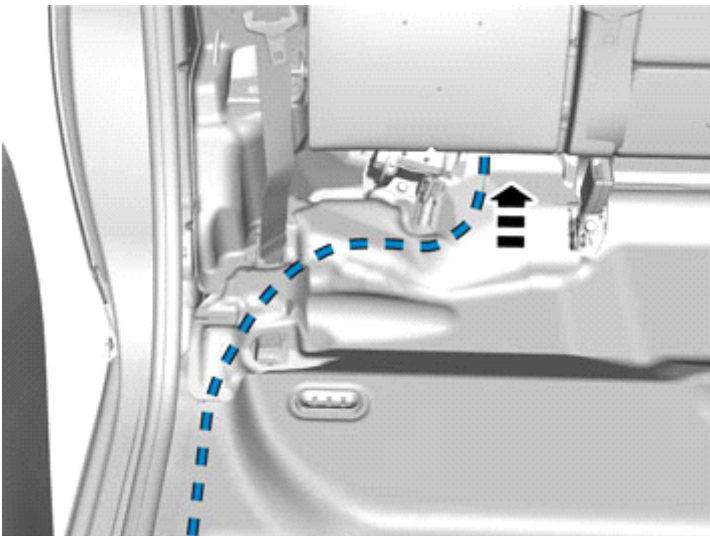
108



IMG-308083

All vehicles

109



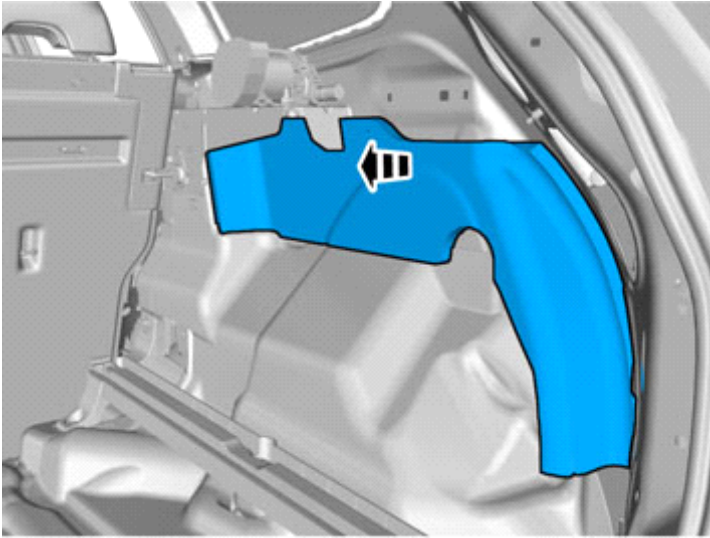
IMG-308084



Installation instructions, accessories

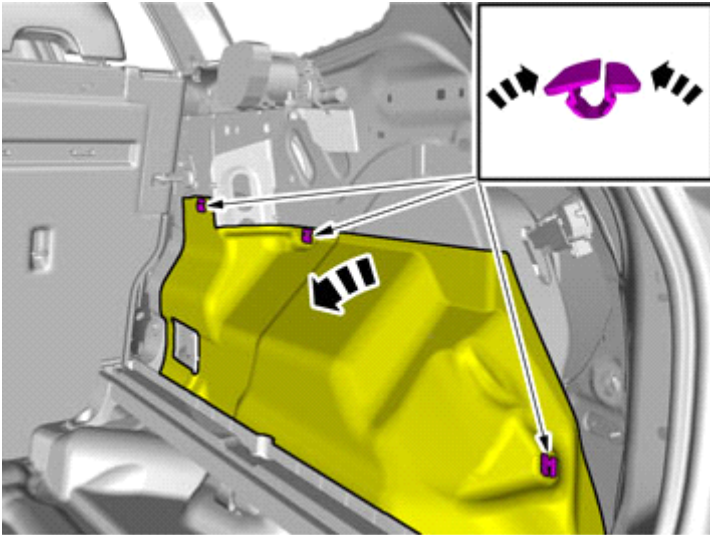
Volvo Car Corporation Gothenburg, Sweden

110



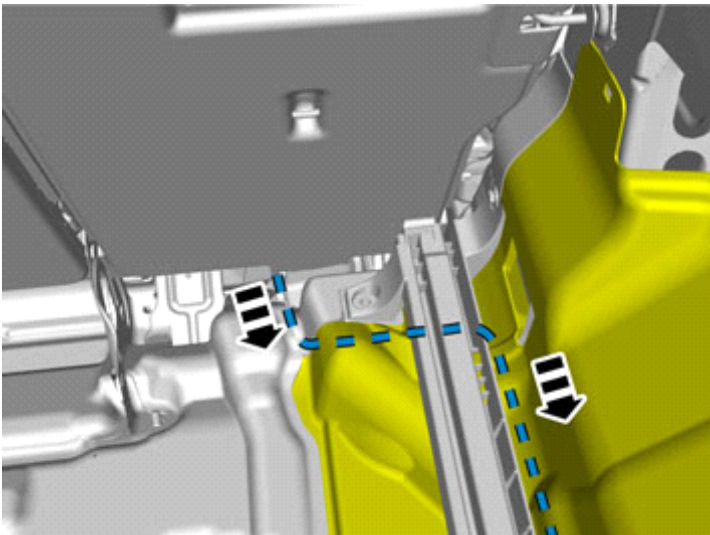
IMG-308085

111



IMG-308086

112



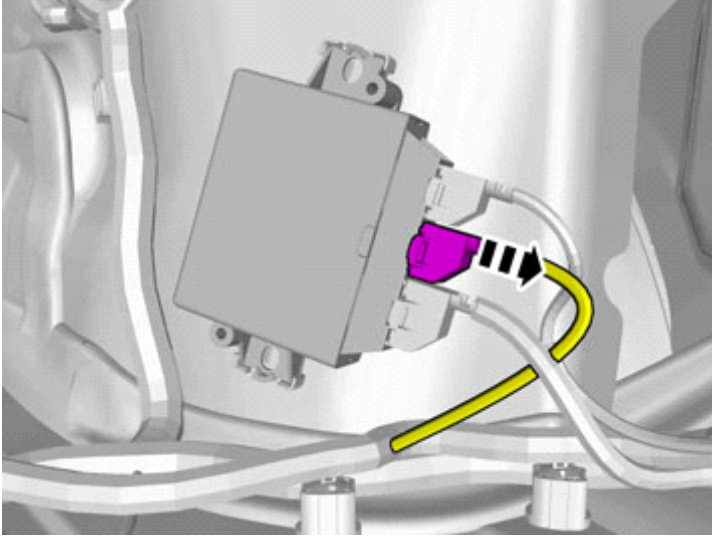
IMG-308103



Installation instructions, accessories

Volvo Car Corporation Gothenburg, Sweden

113



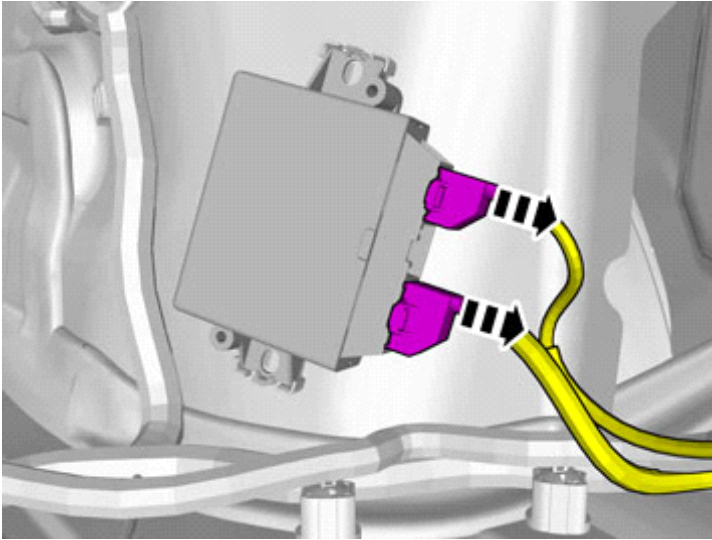
IMG-377590

Disconnect the connector, if applicable.

Attach the connector to the wiring harness.

Use: , Electrical tape

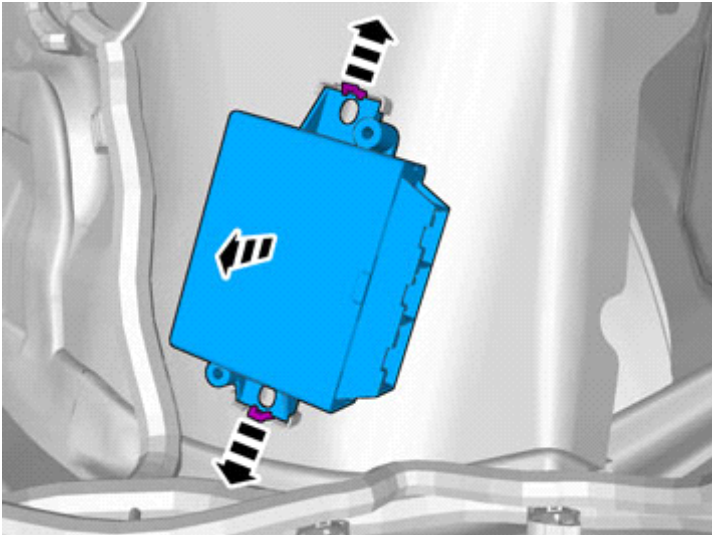
114



IMG-377588

Disconnect the connectors.

115



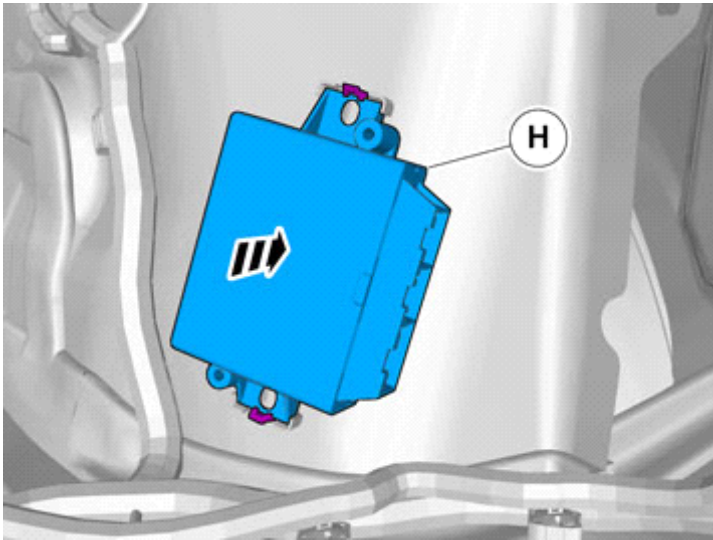
IMG-377586



Installation instructions, accessories

Volvo Car Corporation Gothenburg, Sweden

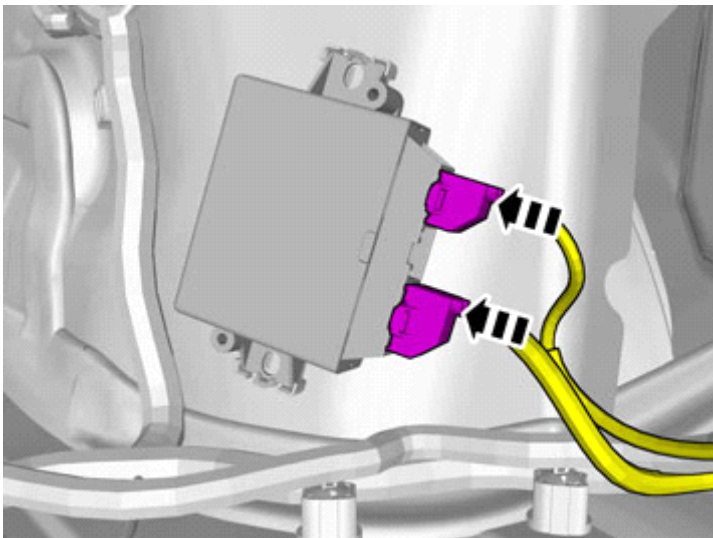
116



IMG-377587

Install component that comes with the accessory kit.

117



IMG-377589

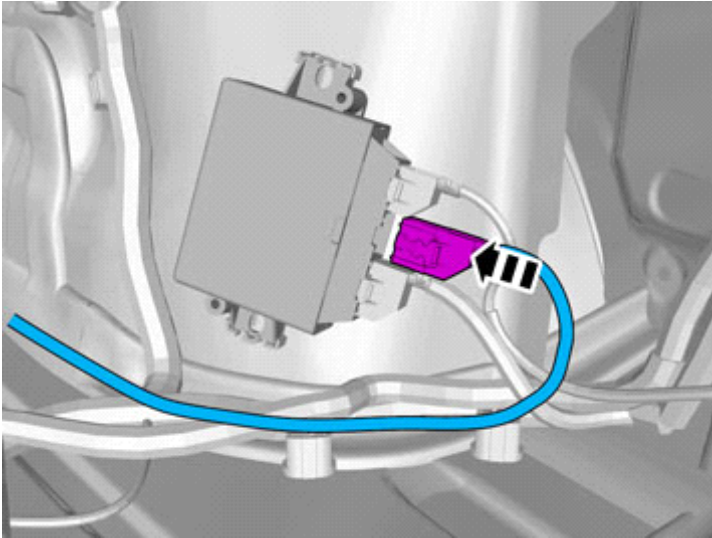
Connect the connectors.



Installation instructions, accessories

Volvo Car Corporation Gothenburg, Sweden

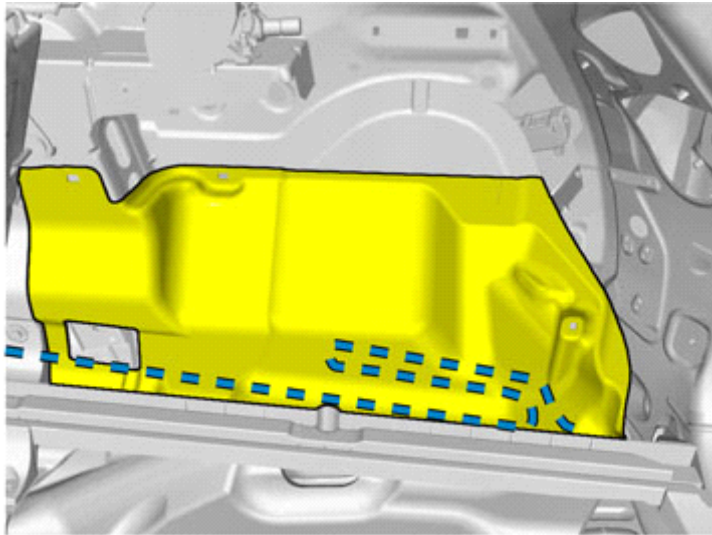
118



IMG-377594

Connect the prerouted cable.

119



IMG-308105

Attach any excess wire to the wiring harness.

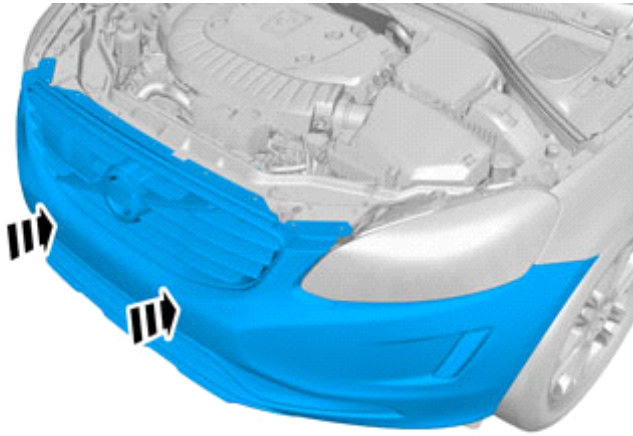
Installation



Installation instructions, accessories

Volvo Car Corporation Gothenburg, Sweden

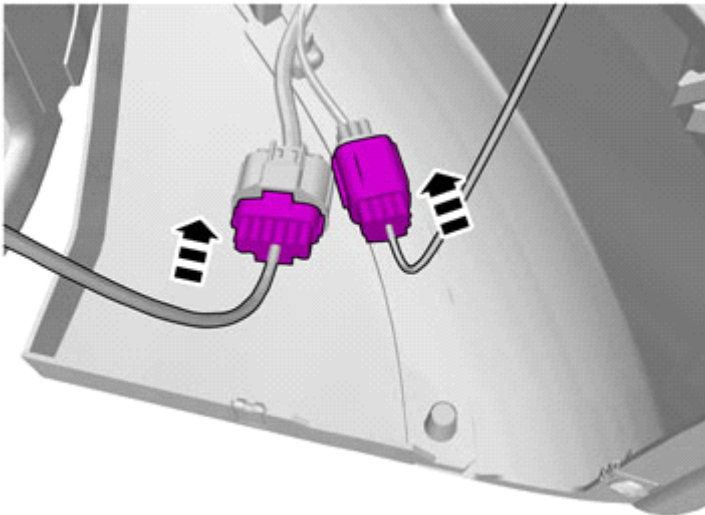
120



IMG-37718

Left hand drive vehicles

121



IMG-307905

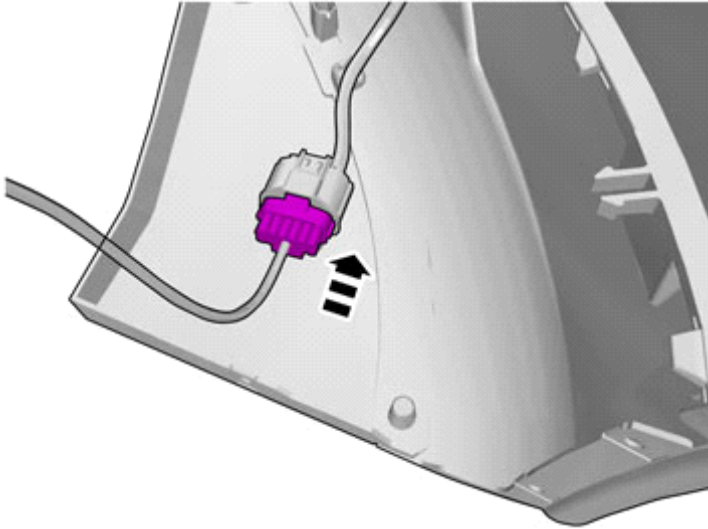
Right-hand drive vehicles



Installation instructions, accessories

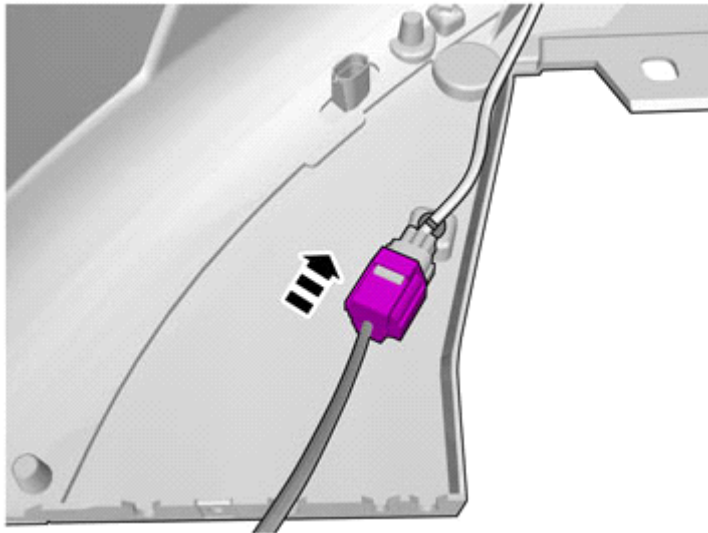
Volvo Car Corporation Gothenburg, Sweden

122



IMG-307906

123



IMG-307907

All vehicles



Installation instructions, accessories

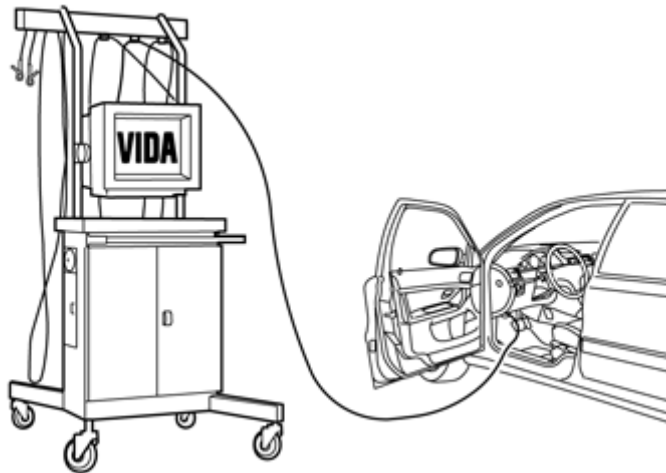
Volvo Car Corporation Gothenburg, Sweden

124

Reinstall the removed parts in reverse order.

IMG-377070

125



IMG-242268

Download software (application) for the accessory's function according to the service information in VIDA.

Order and download software according to: 31266964